
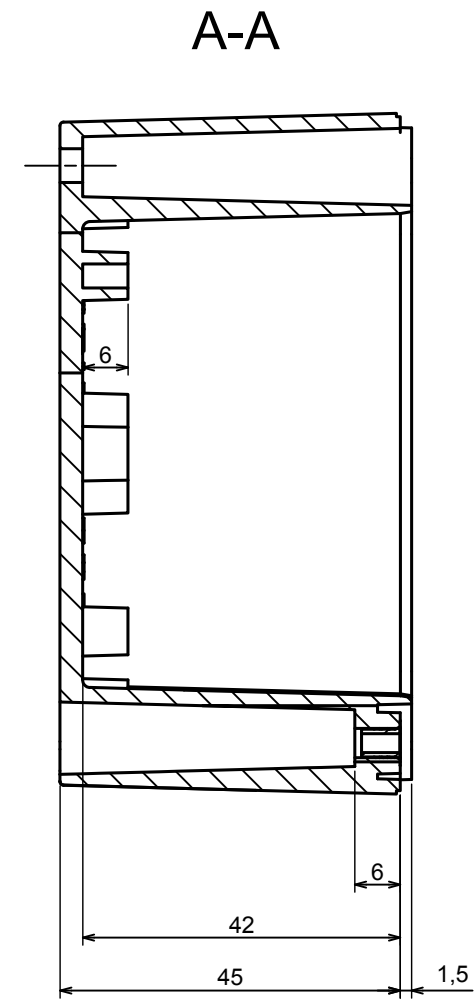
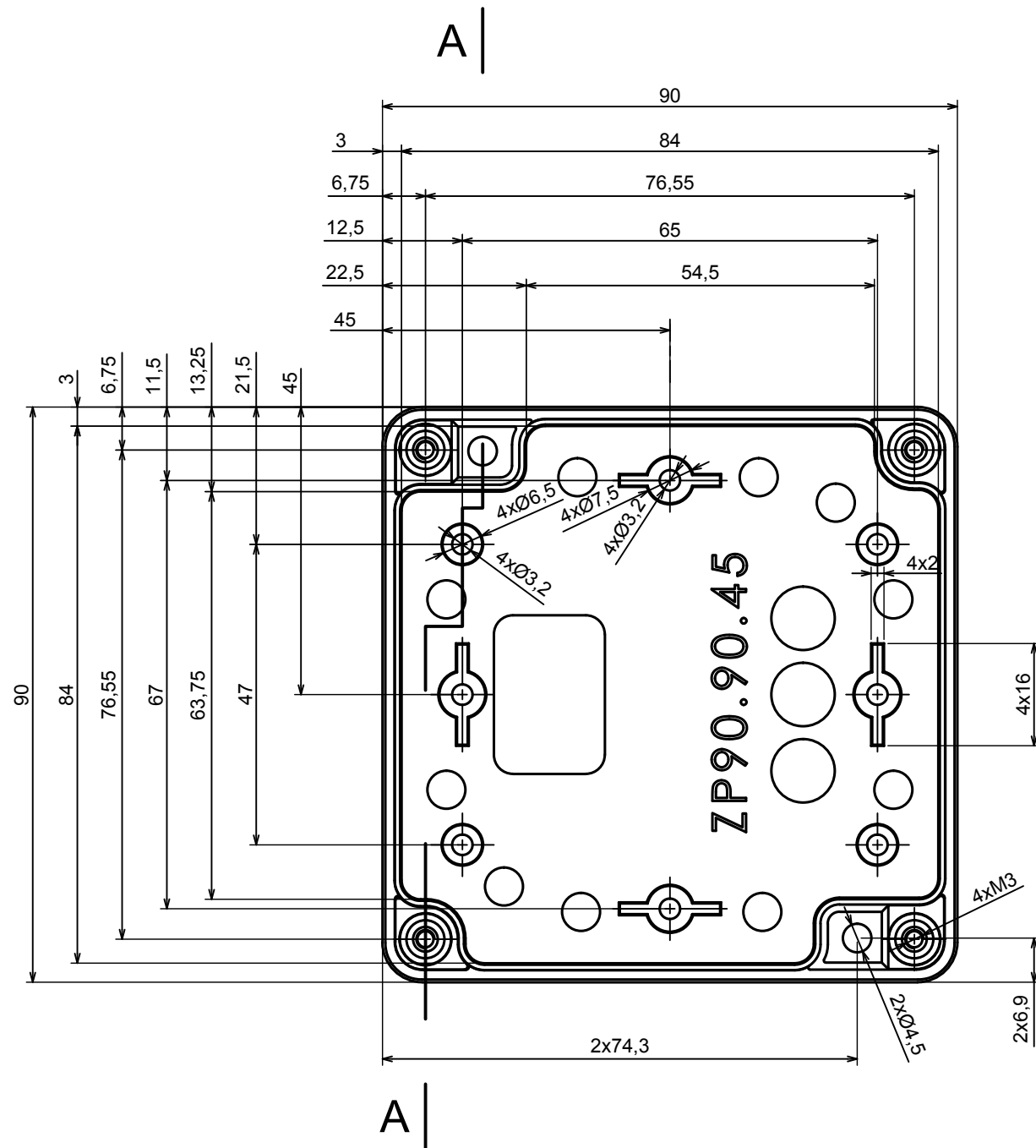


All rights reserved, Copyright Kradox 2021		
Product model	Enclosure ZP90.90.75 TM - Assembly	
Format: A3	Material: PC, ABS	
Scale 1:1	Tolerance: +/- 0.6	



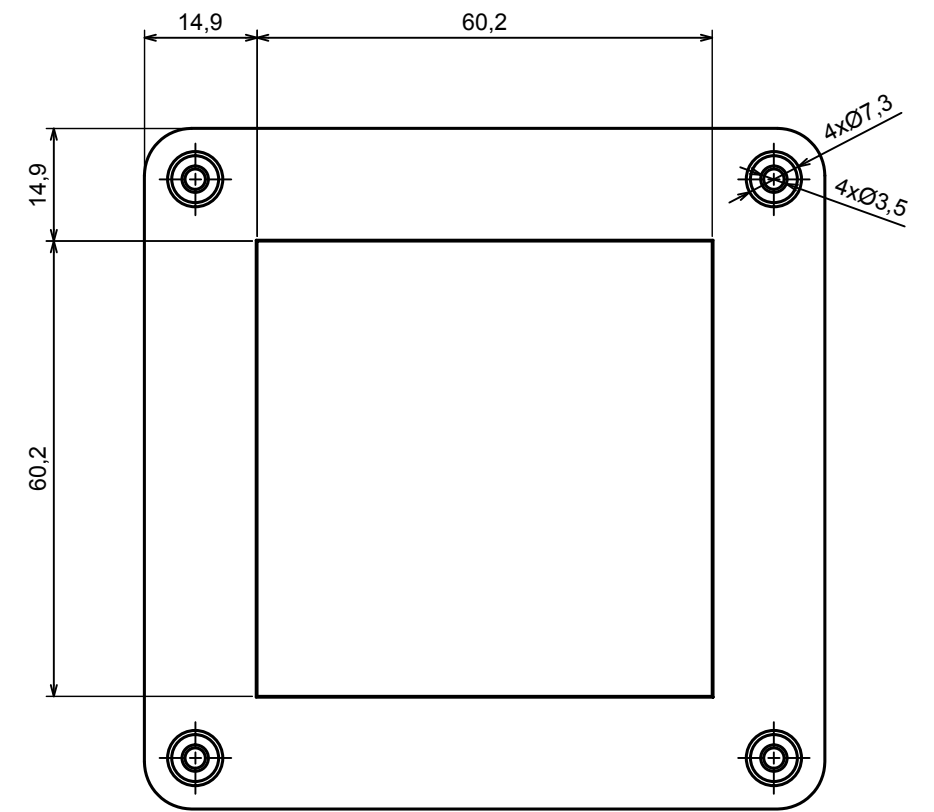
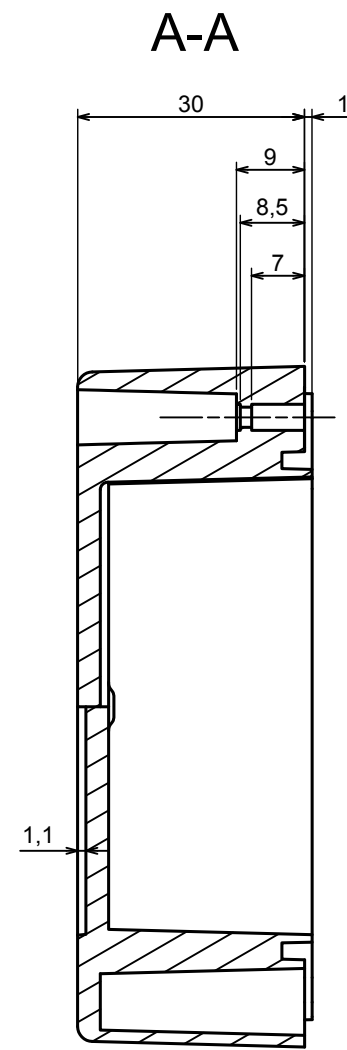
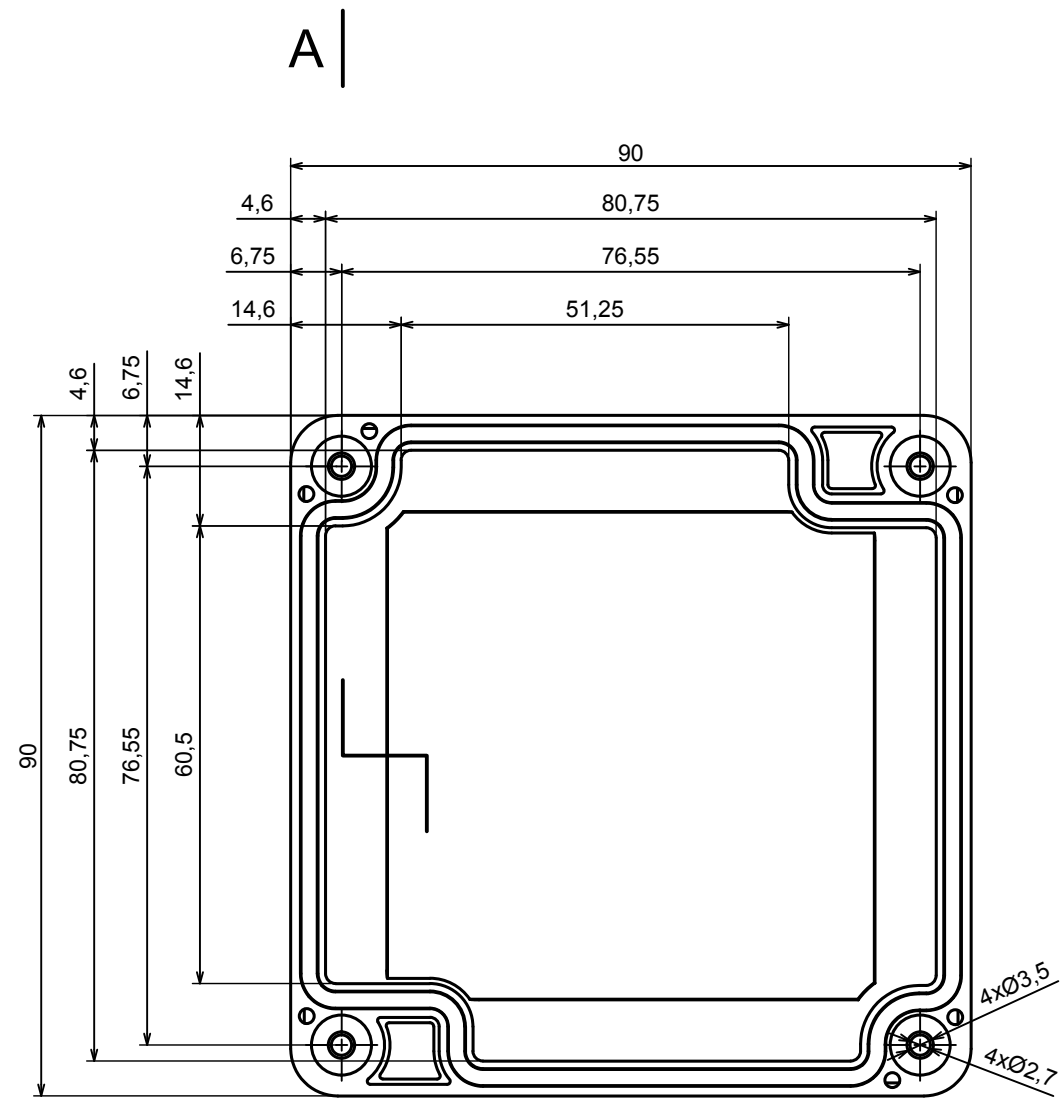
All rights reserved, Copyright Kradox 2021

Product model: Enclosure ZP90.90.75 TM - Base ZP90.90.45 TM

Format: A3 Material: PC, ABS

Scale 1:1 Tolerance: +/- 0.5





A

All rights reserved, Copyright Kradox 2021

Product model: Enclosure ZP90.90.75 TM - Cover PZ90.90.30

Format: A3 Material: PC, ABS

Scale 1:1 Tolerance: +/- 0.5

