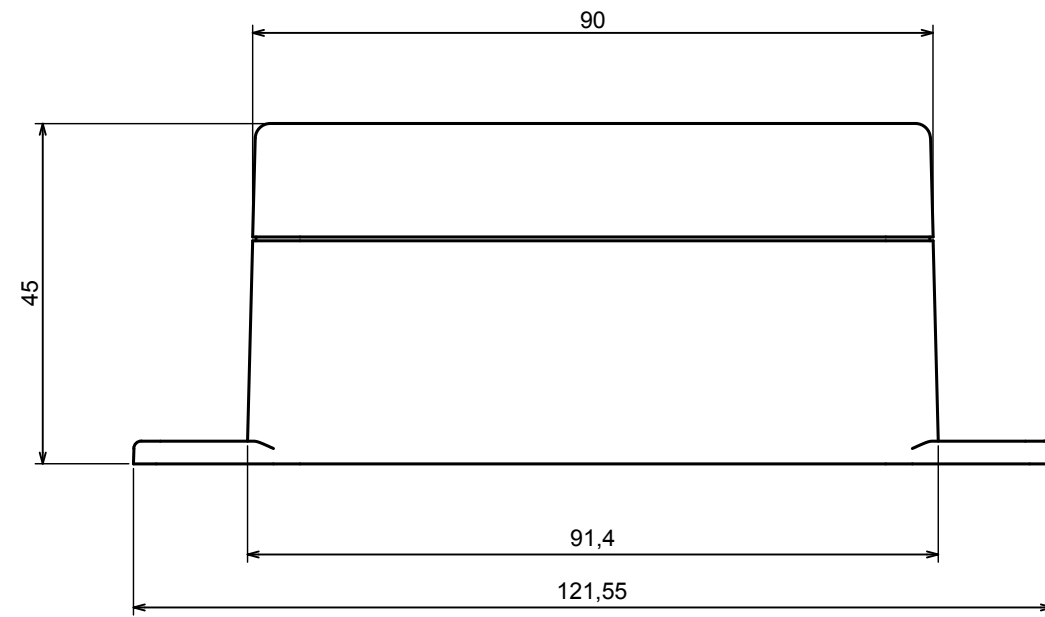
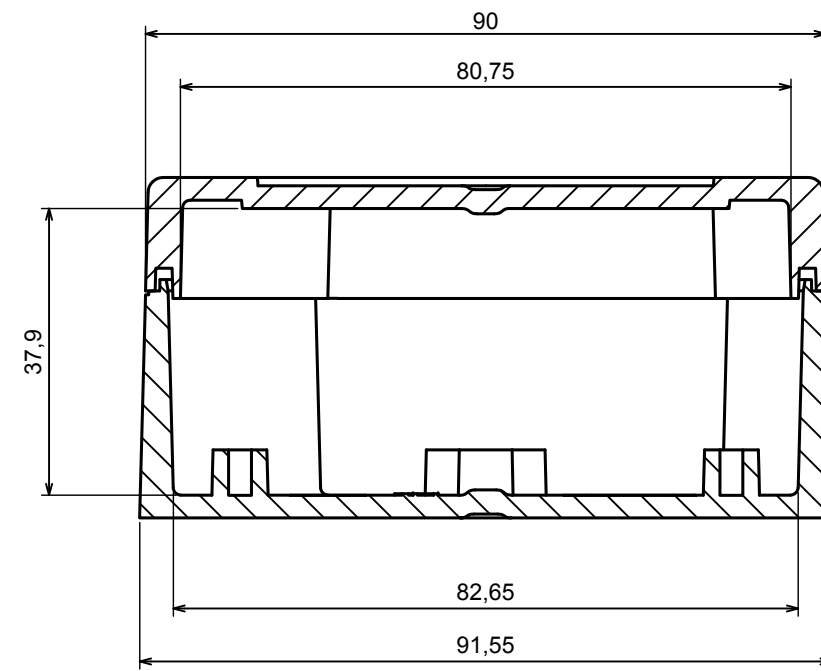


A |



A |

A-A



All rights reserved, Copyright Kradox 2021

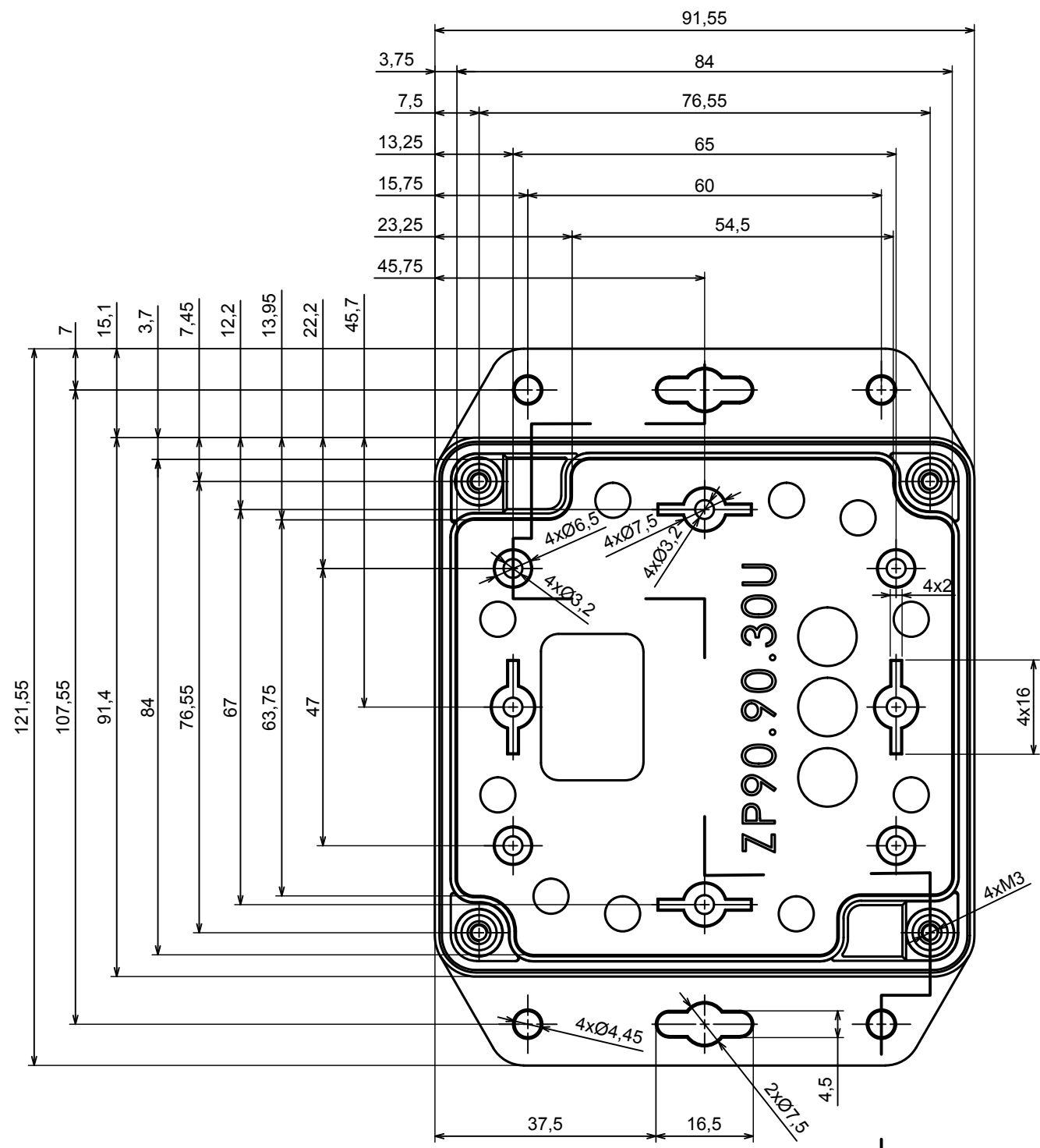
Product model Enclosure ZP90.90.45 TM - Assembly

Format: A3 Material: PC, ABS

Scale 1:1 Tolerance: +/- 0.6

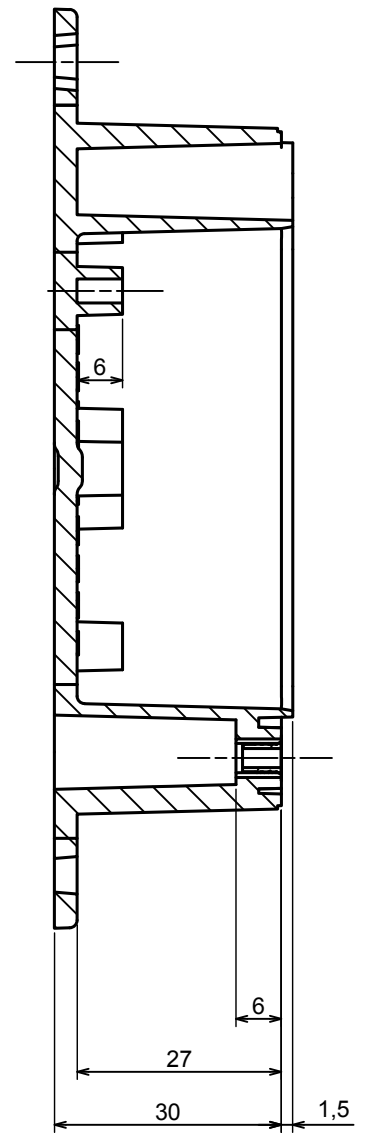


A |



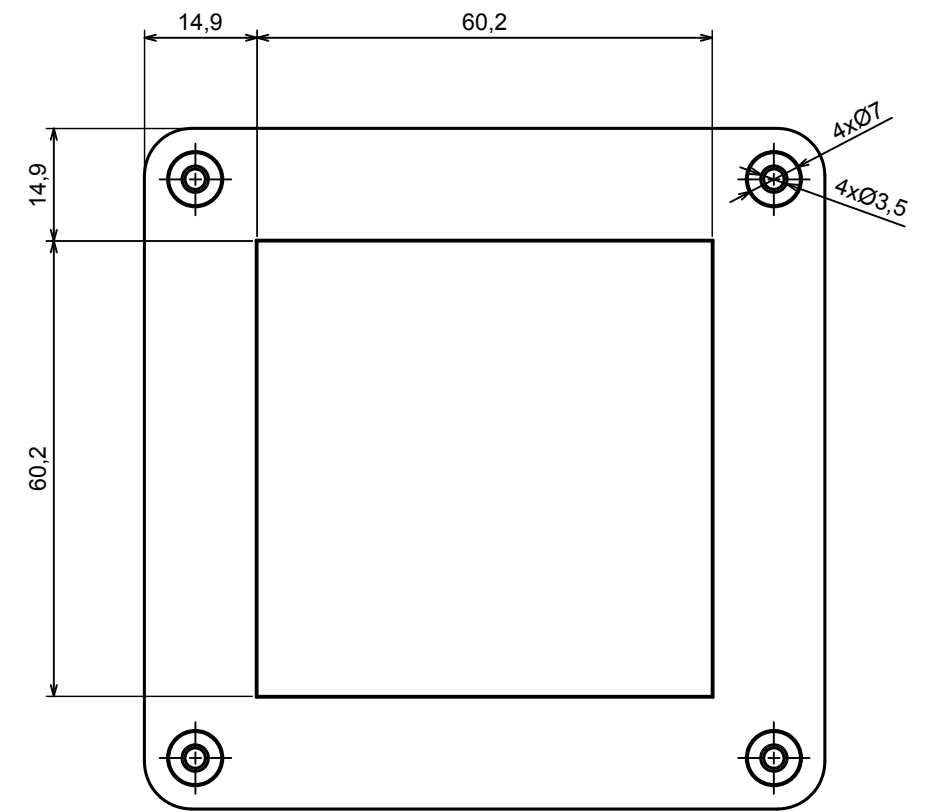
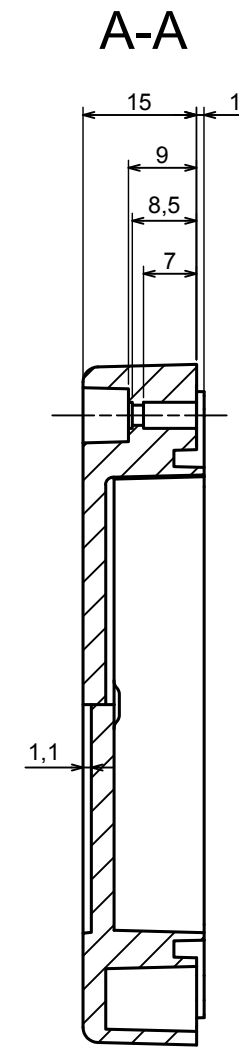
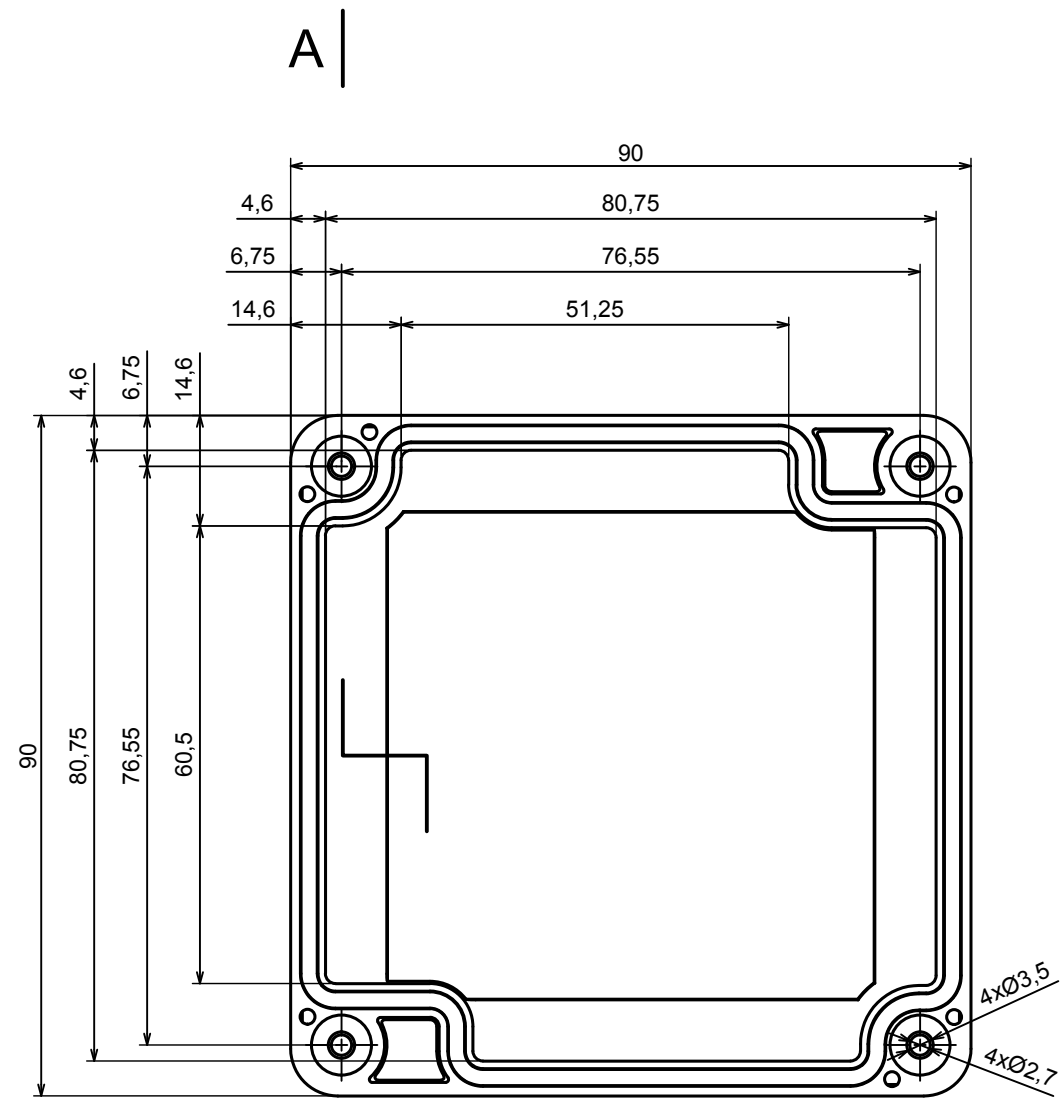
| A

A-A



All rights reserved, Copyright Kradox 2021	
Product model	Enclosure ZP90.90.45U TM - Base ZP90.90.30U TM
Format: A3	Material: PC, ABS
Scale 1:1	Tolerance: +/- 0.5





A

All rights reserved, Copyright Kradox 2021

Product model: Enclosure ZP90.90.45U TM - Cover PZ90.90.15

Format: A3 Material: PC, ABS

Scale 1:1 Tolerance: +/- 0.5

