

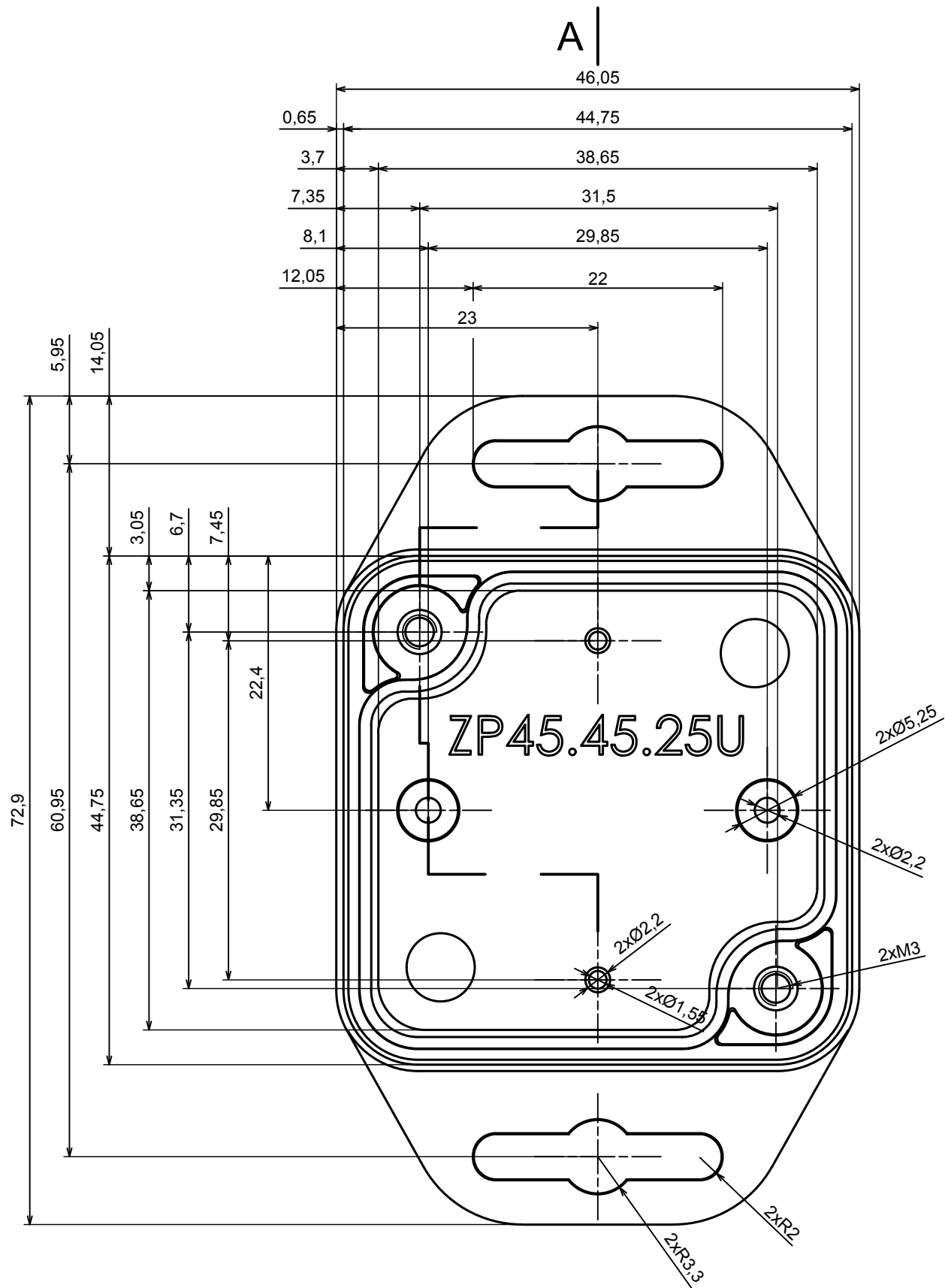
All rights reserved, Copyright Kradox 2020

Product model    Enclosure ZP45.45.40U TM - Assembly

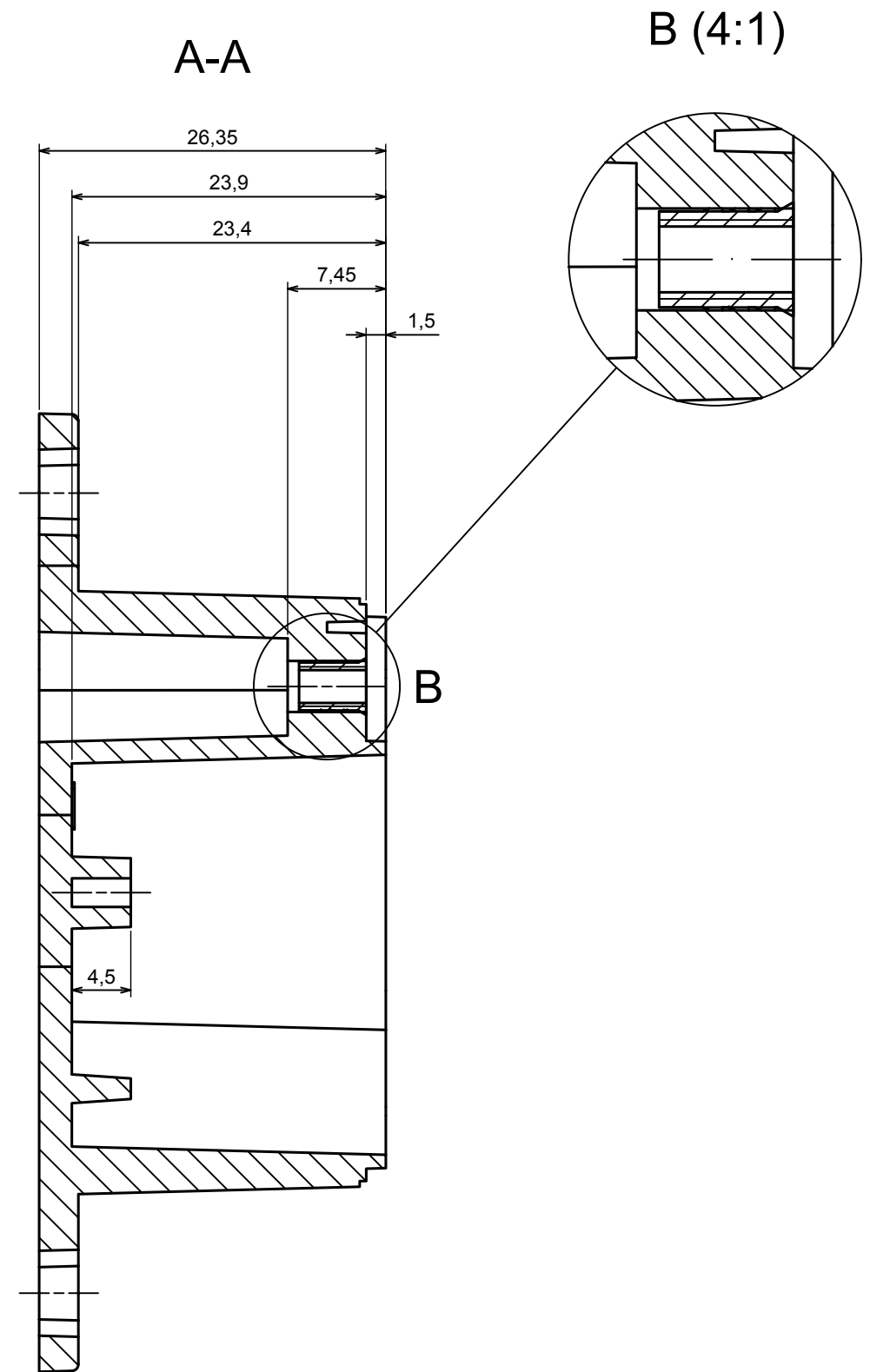
Format: A3    Material: PC, ABS

Scale 2:1    Tolerance: +/- 0.5





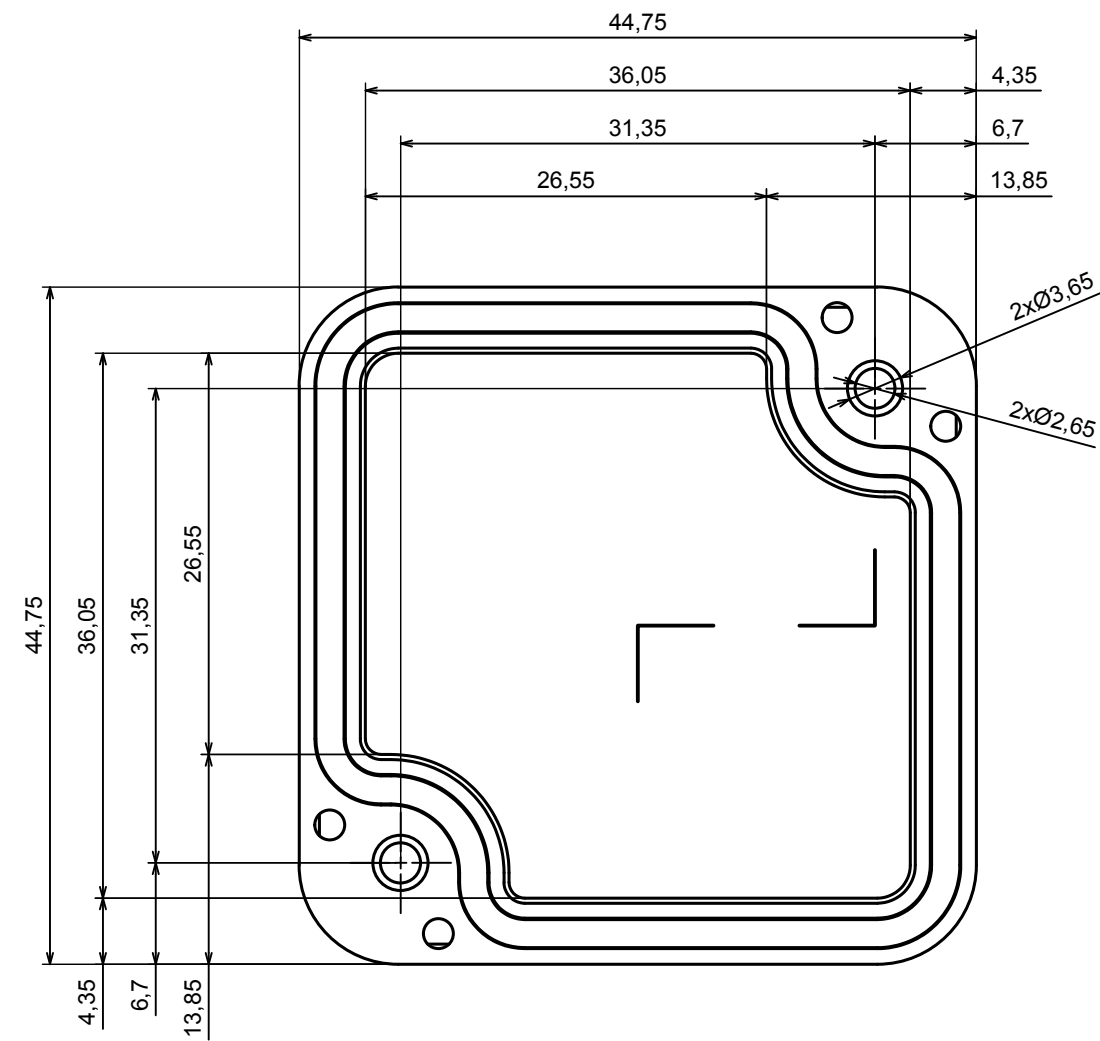
A |



All rights reserved, Copyright Kradex 2020	
Product model	Enclosure ZP45.45.40U TM - Base ZP45.45.25U TM
Format: A3	Material: PC, ABS
Scale 2:1	Tolerance: +/- 0.5

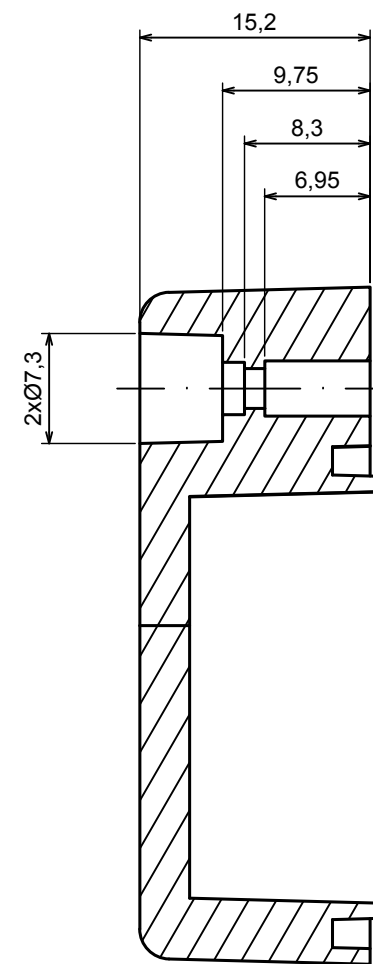


A |



A |

A-A



All rights reserved, Copyright Kradex 2020

Product model Enclosure ZP45.45.40U TM - Cover ZP45.45.15

Format: A3 Material: PC, ABS

Scale 1:1 Tolerance: +/- 0.5

