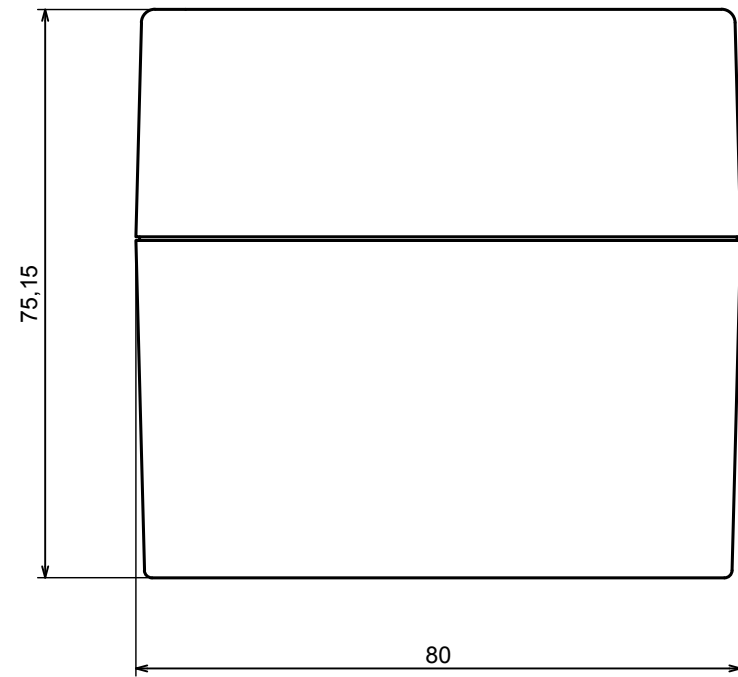
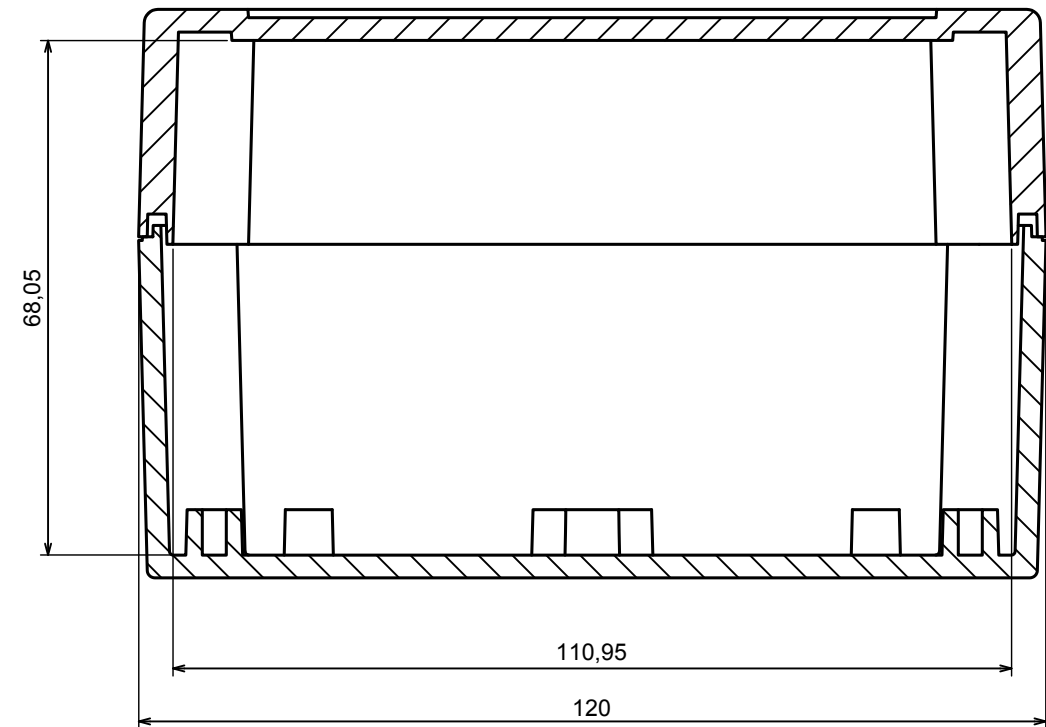


A |



A |

A-A



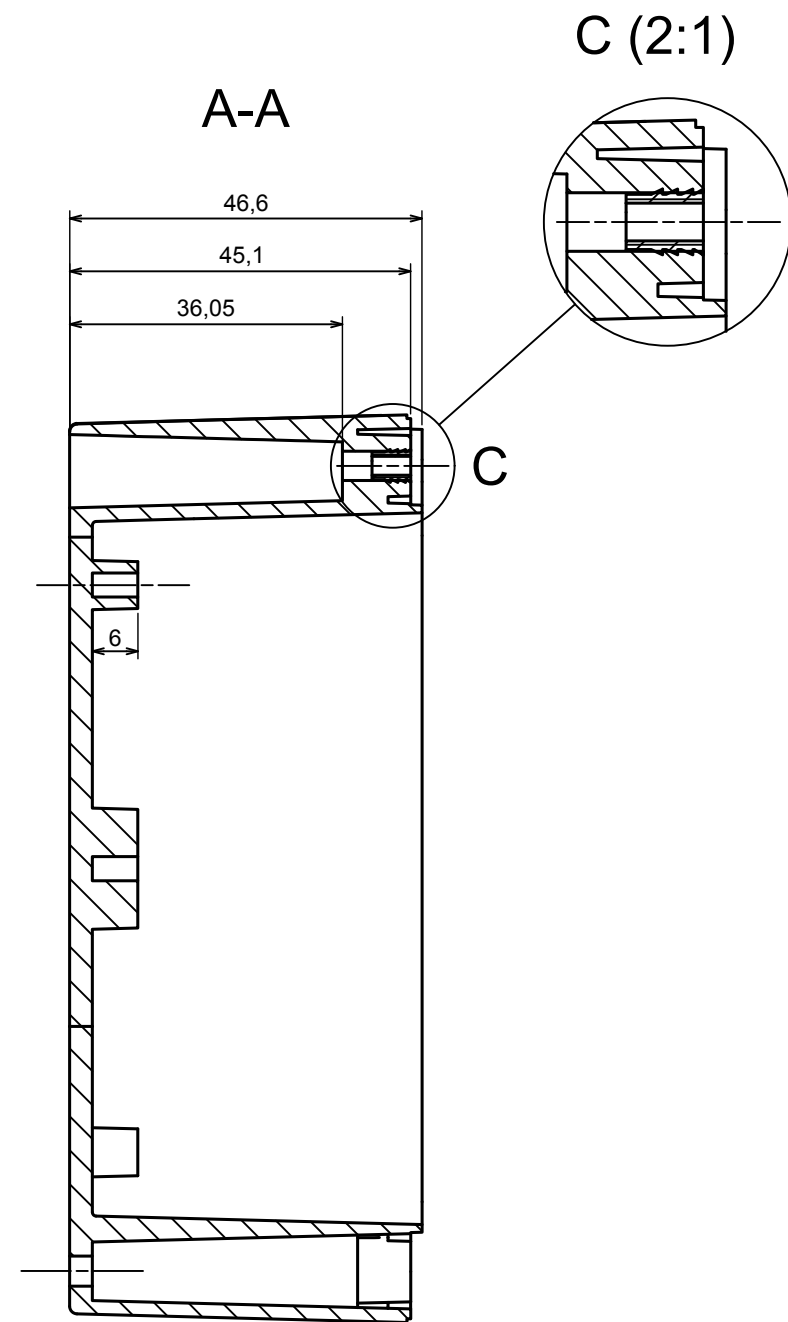
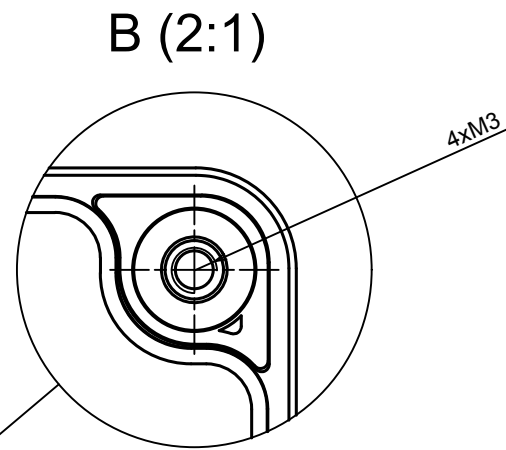
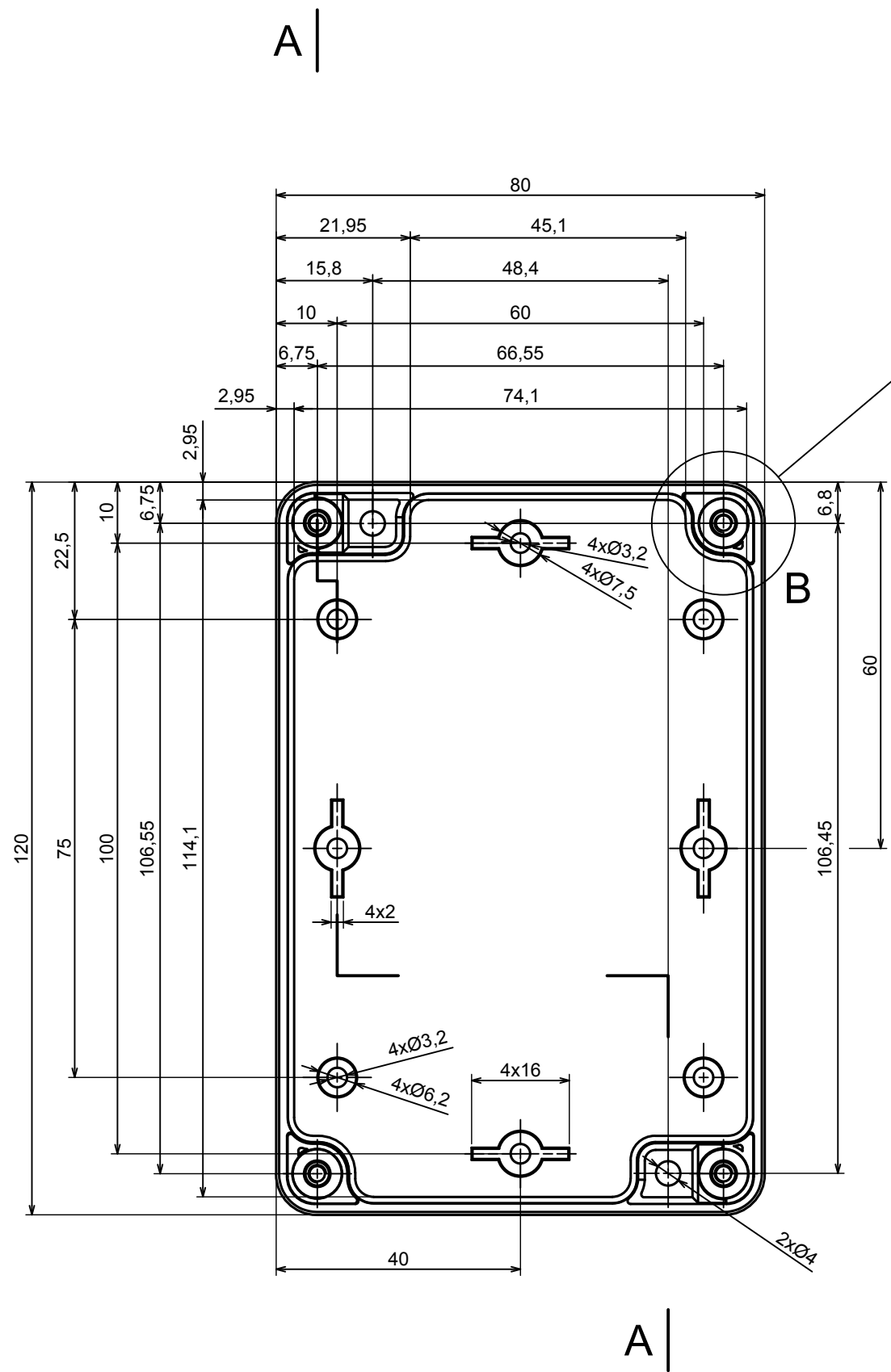
All rights reserved, Copyright Kradox 2019

Product model Enclosure ZP120.80.75 TM - Assembly

Format: A3 Material: PC, ABS

Scale 1:1 Tolerance: +/- 0.5





All rights reserved, Copyright Kradox 2019

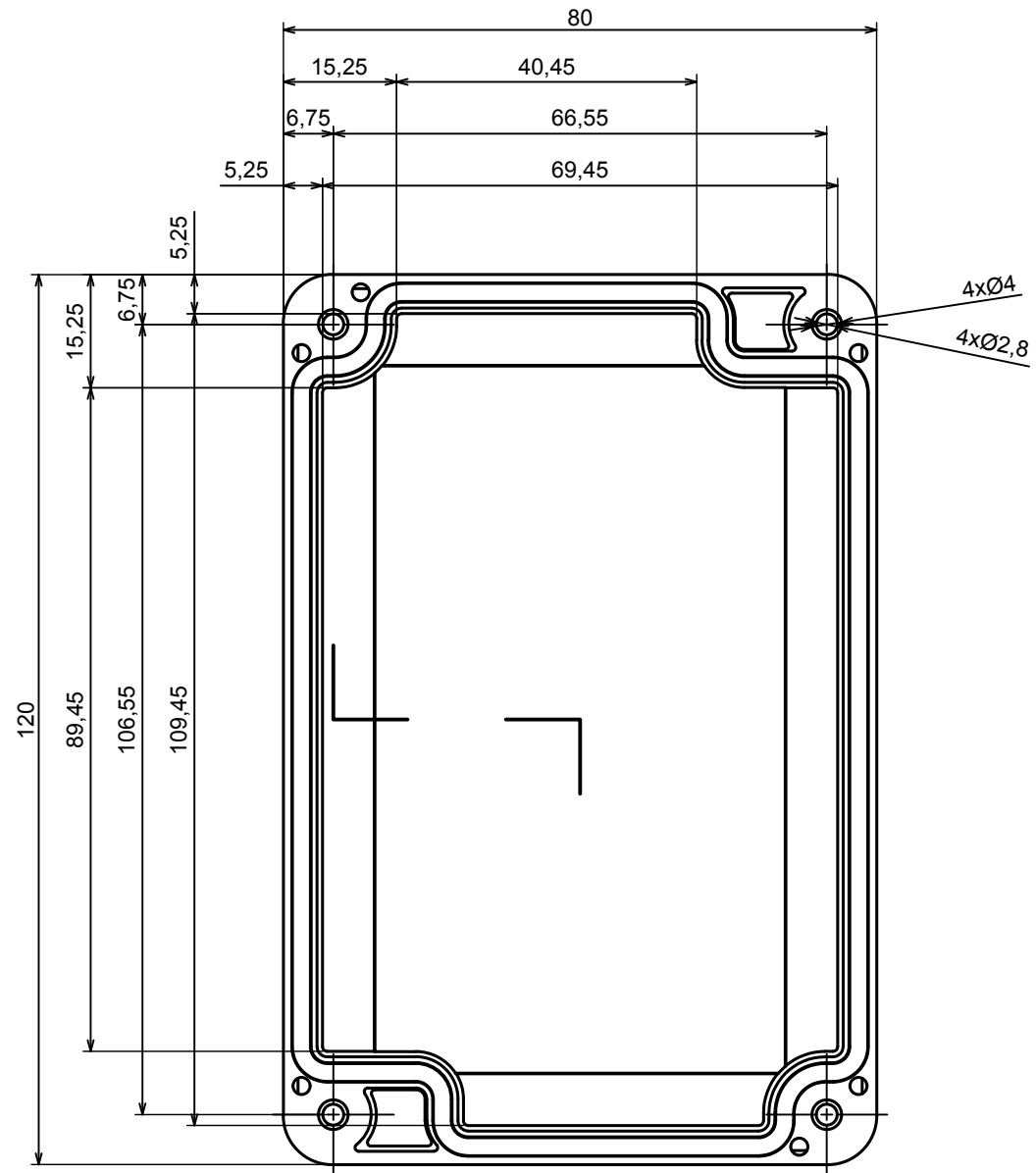
Product model: Enclosure ZP120.80.75 TM - Assembly - Base ZP120.80.45 TM

Format: A3 Material: DX51

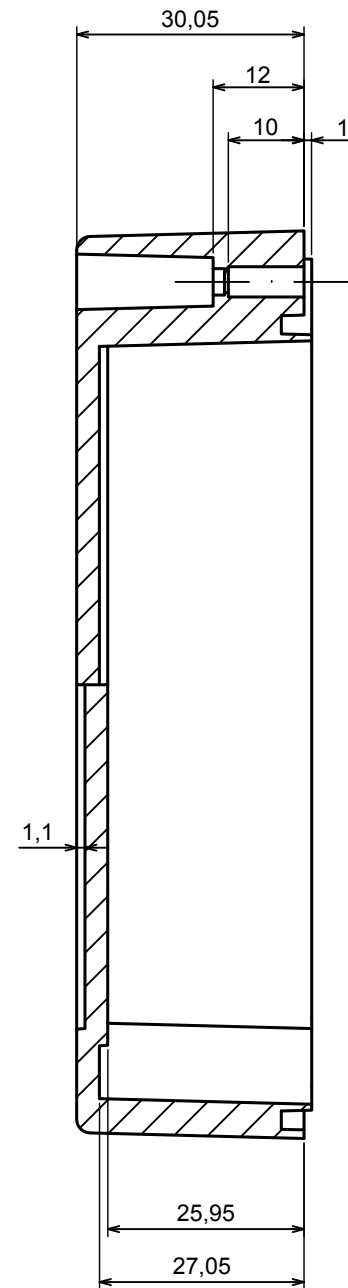
Scale 1:2 Tolerance: +/- 0.5



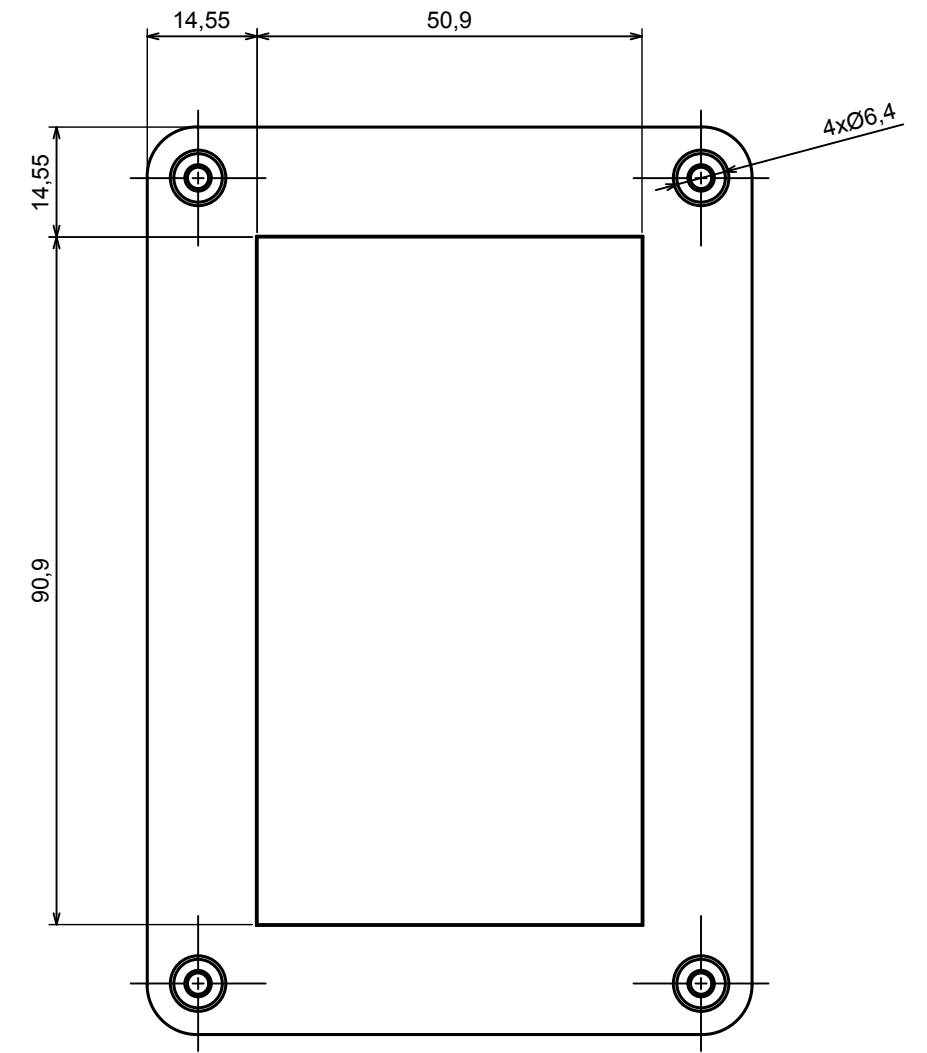
A |



A-A



A |



All rights reserved, Copyright Kradox 2019

Product model Enclosure ZP120.80.75 TM - Assembly - Cover ZP120.80.30

Format: A3 Material: PC, ABS

Scale 1:1 Tolerance: +/- 0.5

