

All rights reserved, Copyright Kradex 2019

Product model: Enclosure Z95 - Assembly

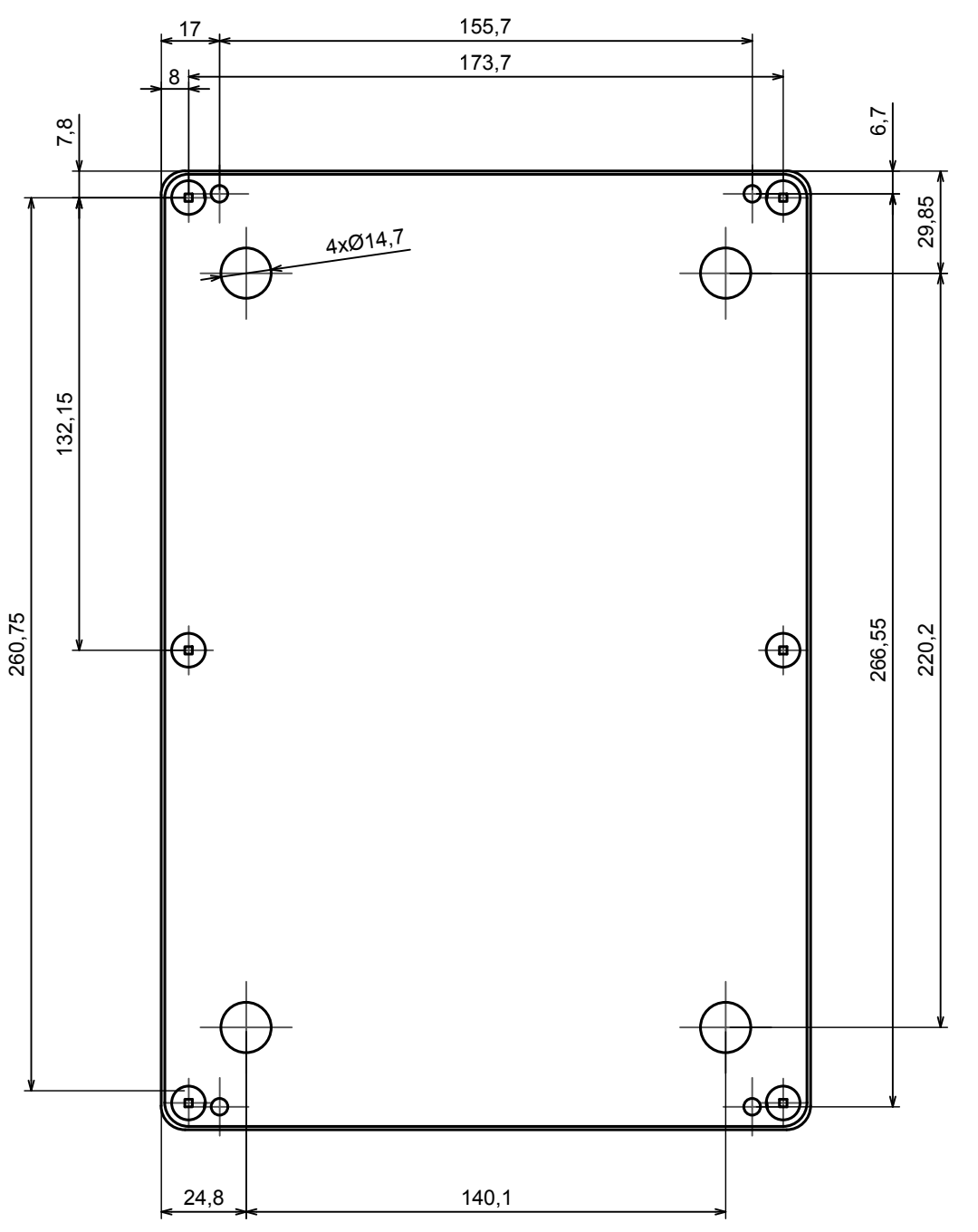
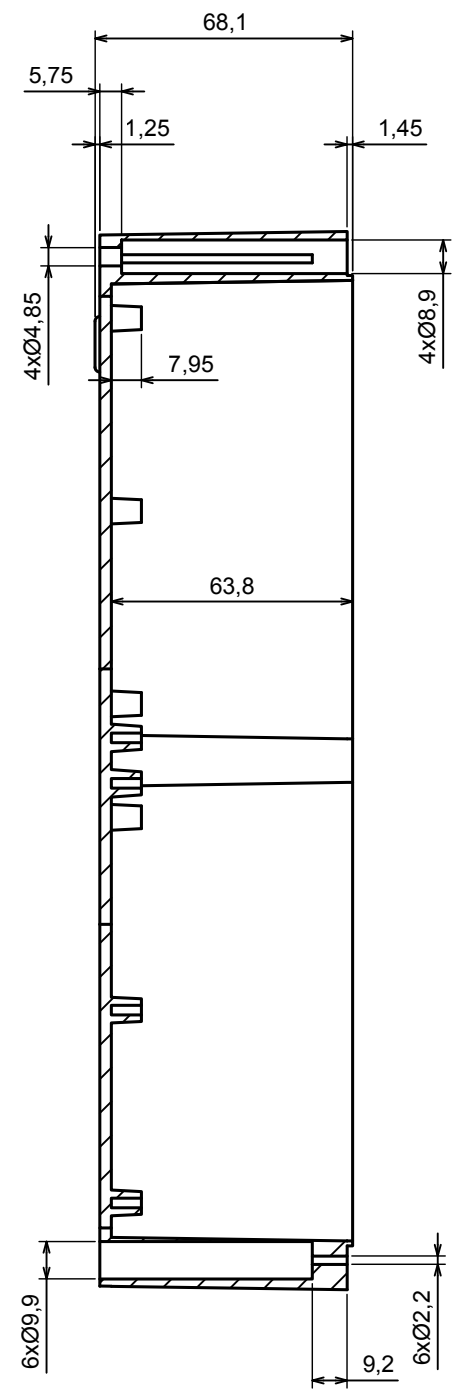
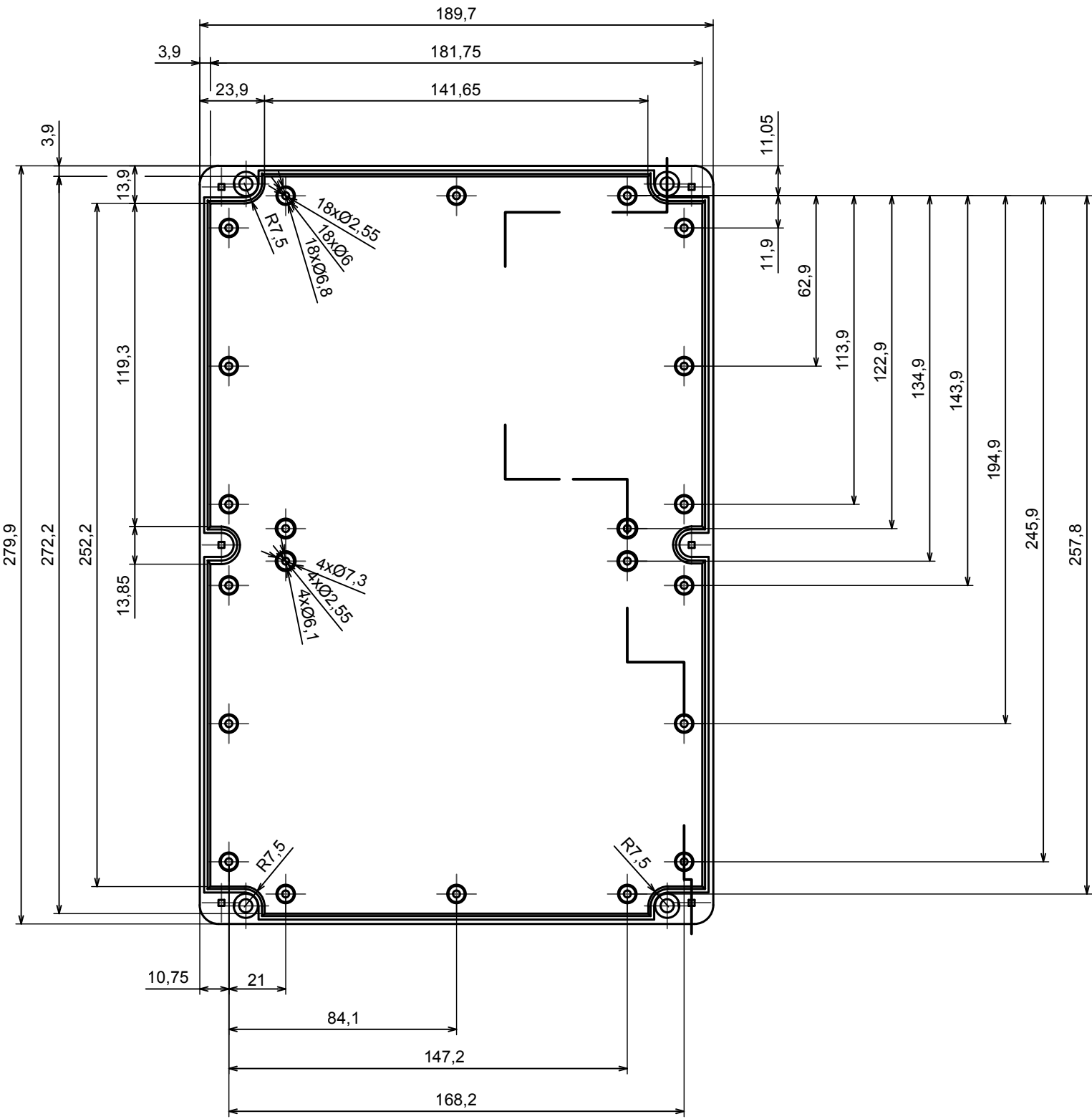
Format: A3 Material: PS, ABS

Scale 1:2 Tolerance: +/- 0.5



B |

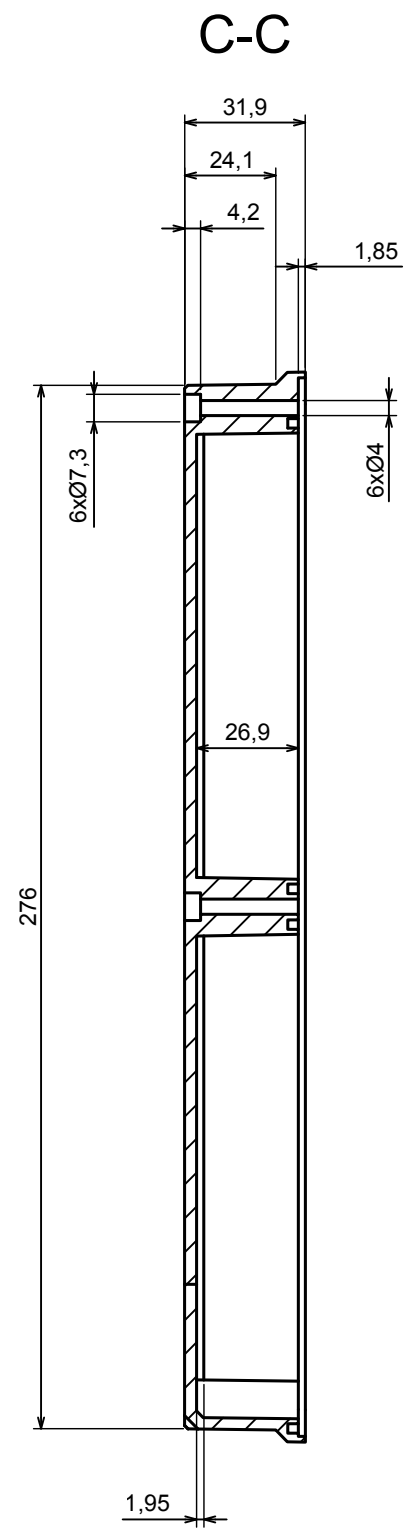
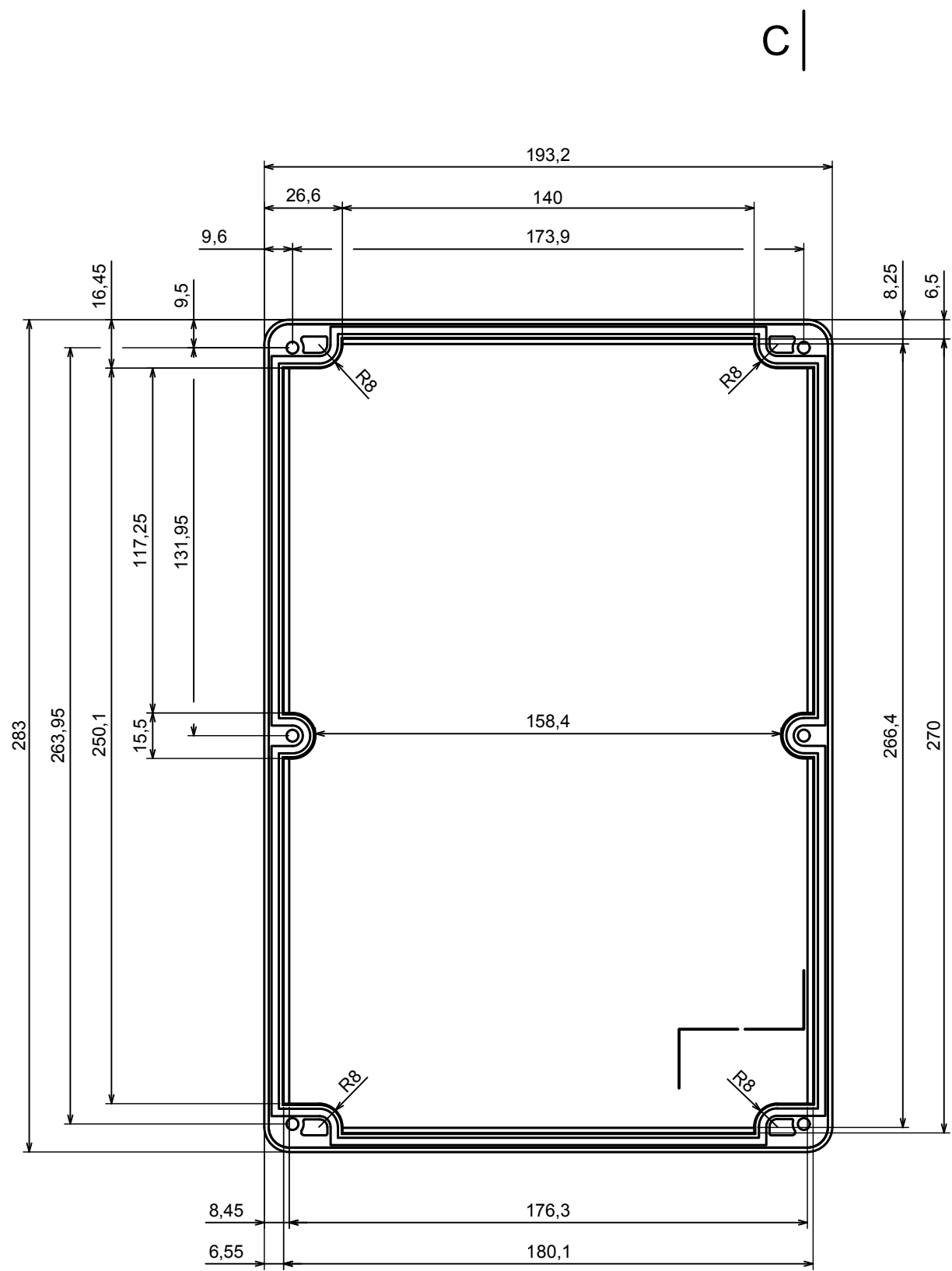
B-B



B |

All rights reserved, Copyright Kradox 2019	
Product model	Enclosure Z95 - Base
Format: A3	Material: PS, ABS
Scale 1:2	Tolerance: +/- 0.5





C |

All rights reserved, Copyright Kradox 2019	
Product model	Enclosure Z95 - Cover
Format: A3	Material: PS, ABS
Scale 1:2	Tolerance: +/- 0.5

