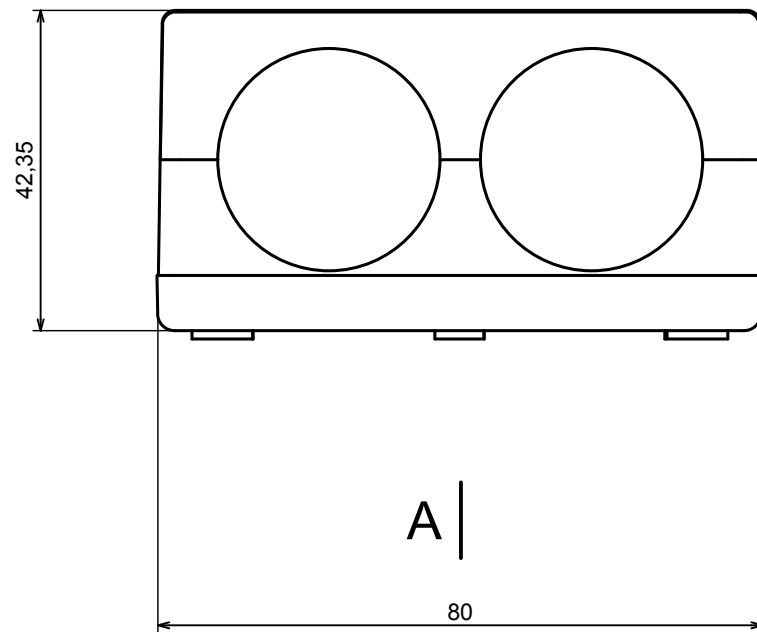
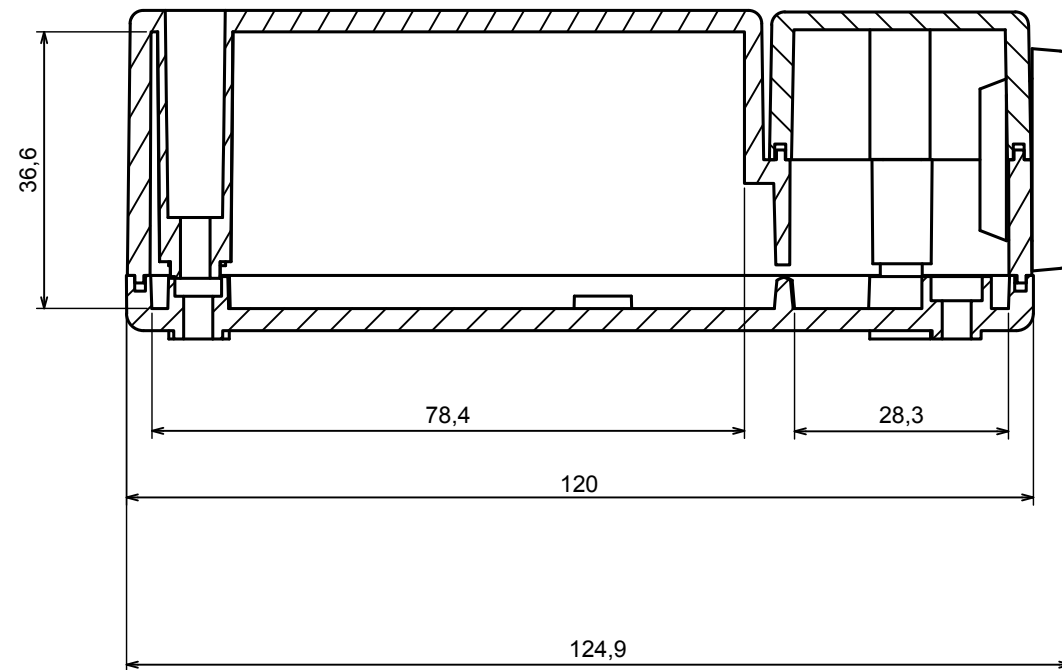


A |



A-A



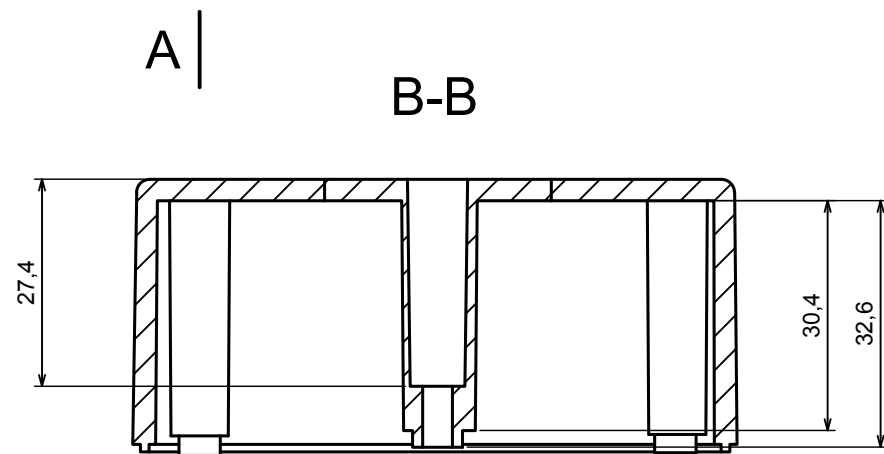
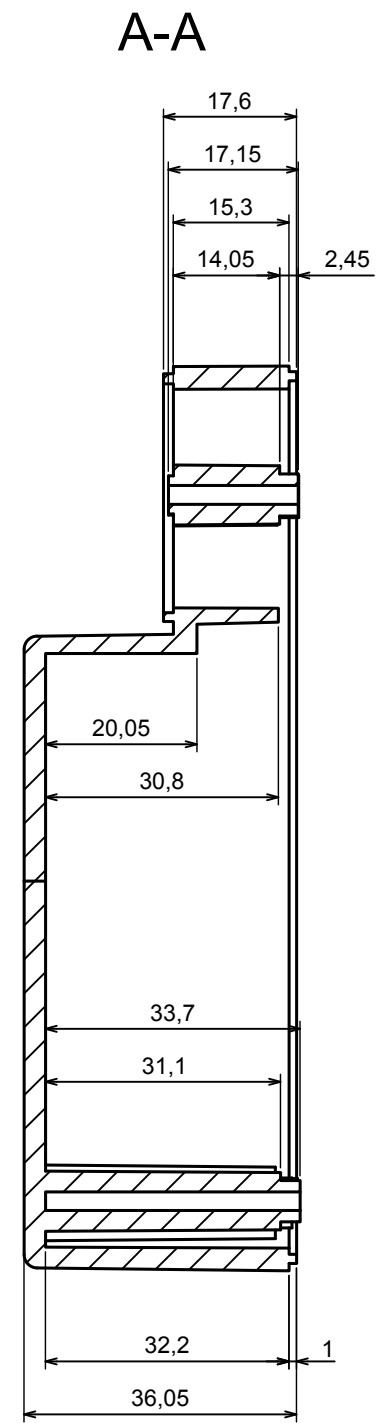
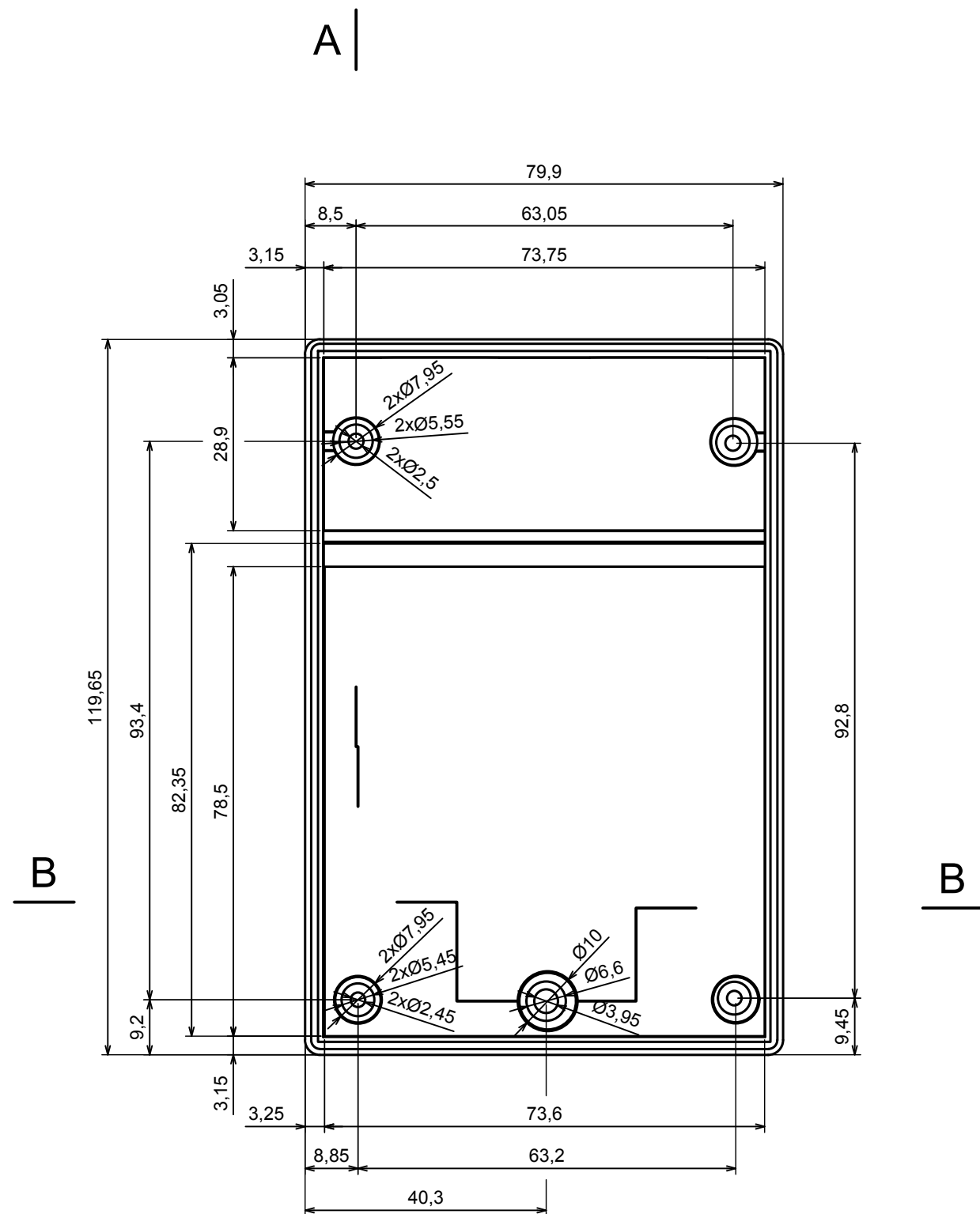
All rights reserved, Copyright Kradox 2017

Product model Enclosure Z61 - Assembly

Format: A3 Material: PS, ABS

Scale 1:1 Tolerance: +/- 0.8





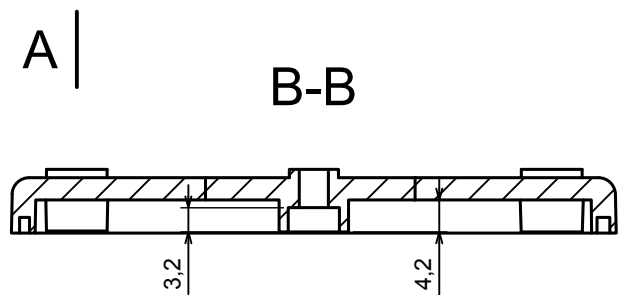
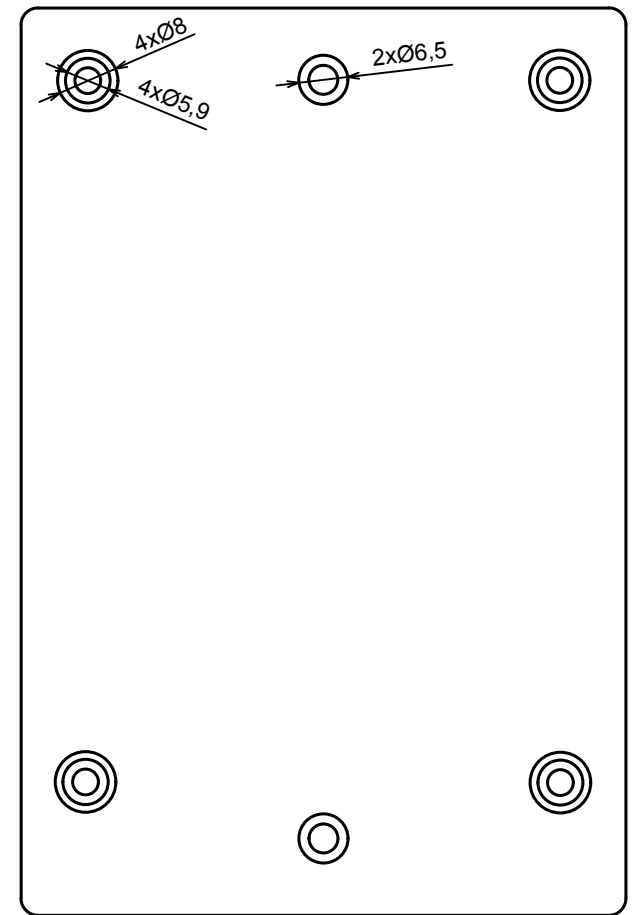
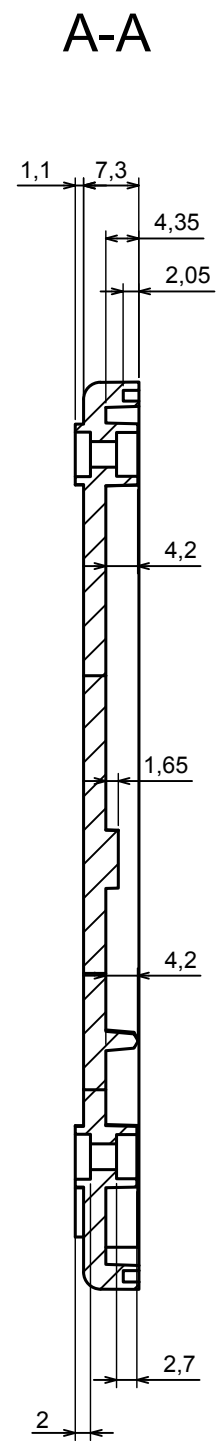
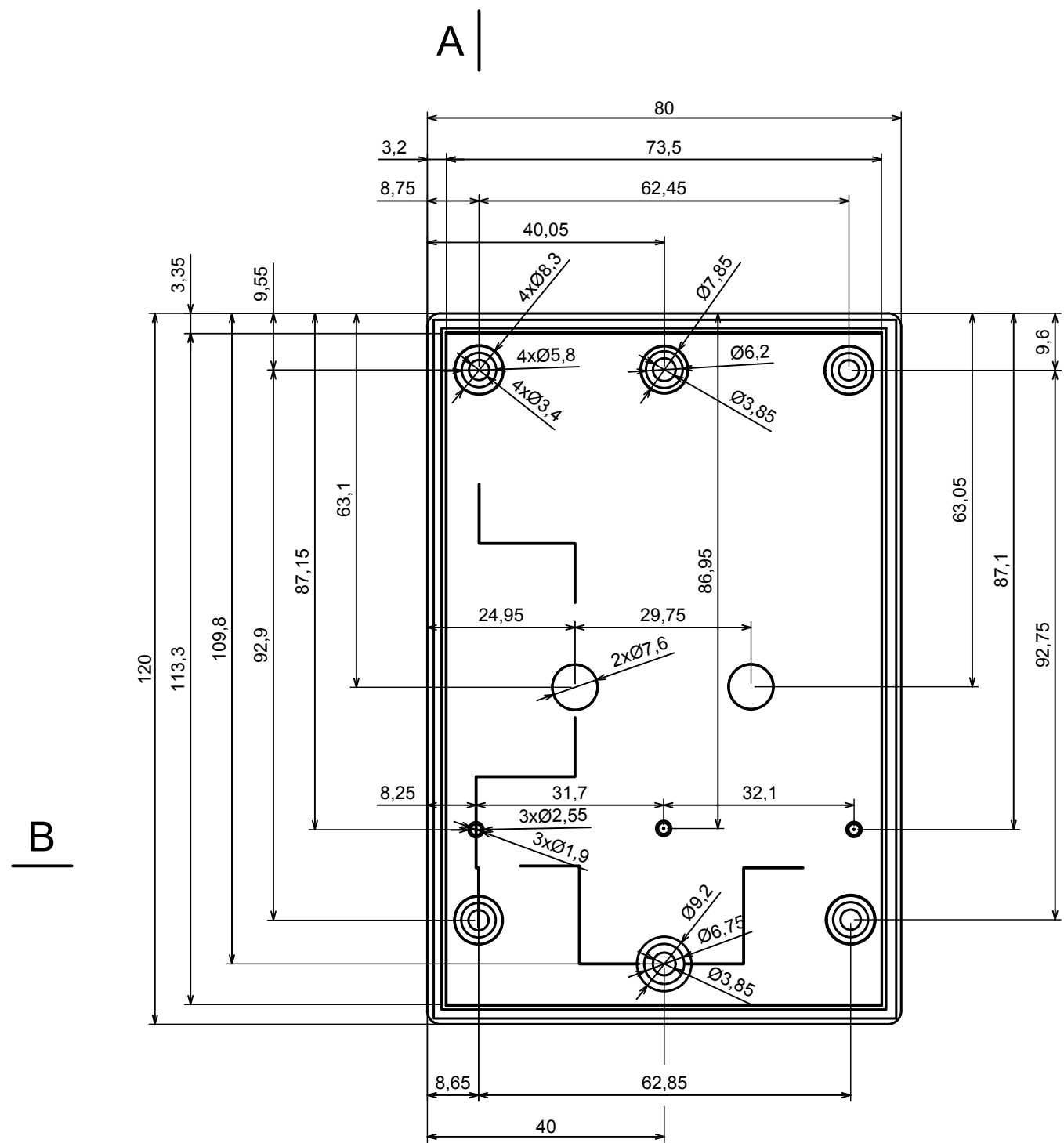
All rights reserved, Copyright Kradox 2018

Product model: Enclosure Z61 - Base

Format: A3 Material: PS, ABS

Scale 1:1 Tolerance: +/- 0.8





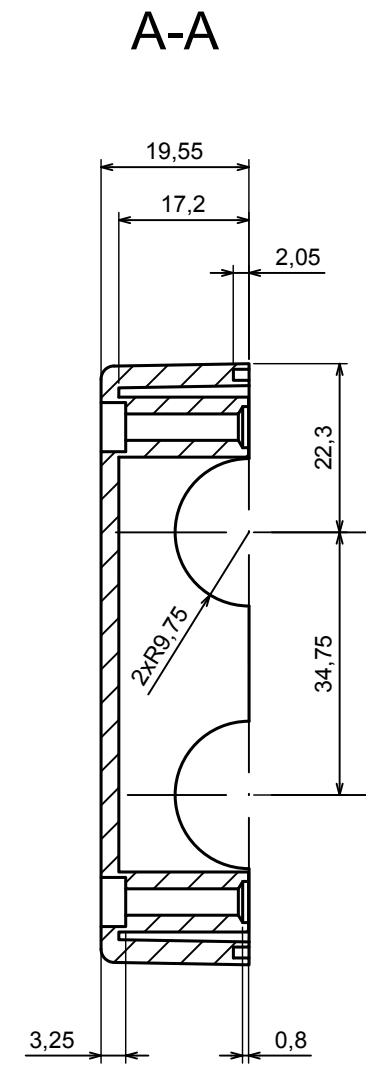
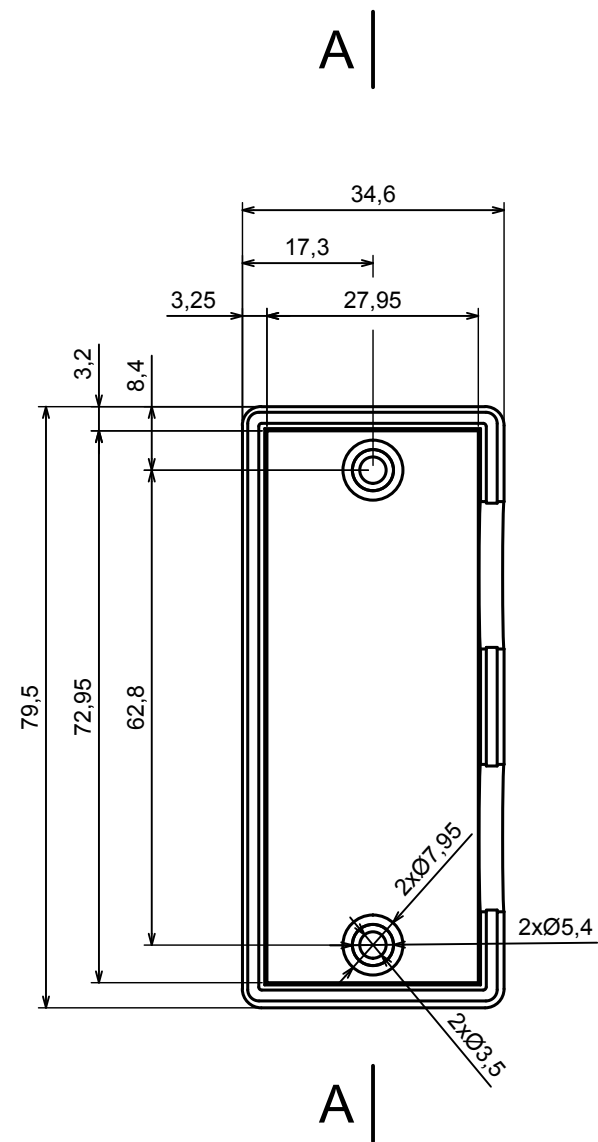
All rights reserved, Copyright Kradox 2018

Product model: Enclosure Z61 - Cover

Format: A3 | Material: PS, ABS

Scale 1:1 | Tolerance: +/- 0.8





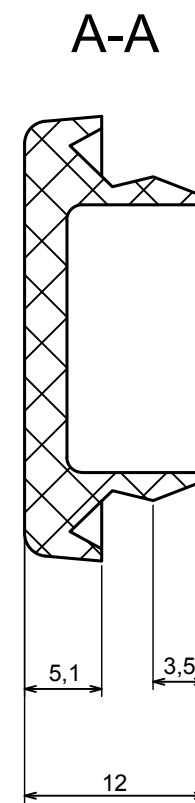
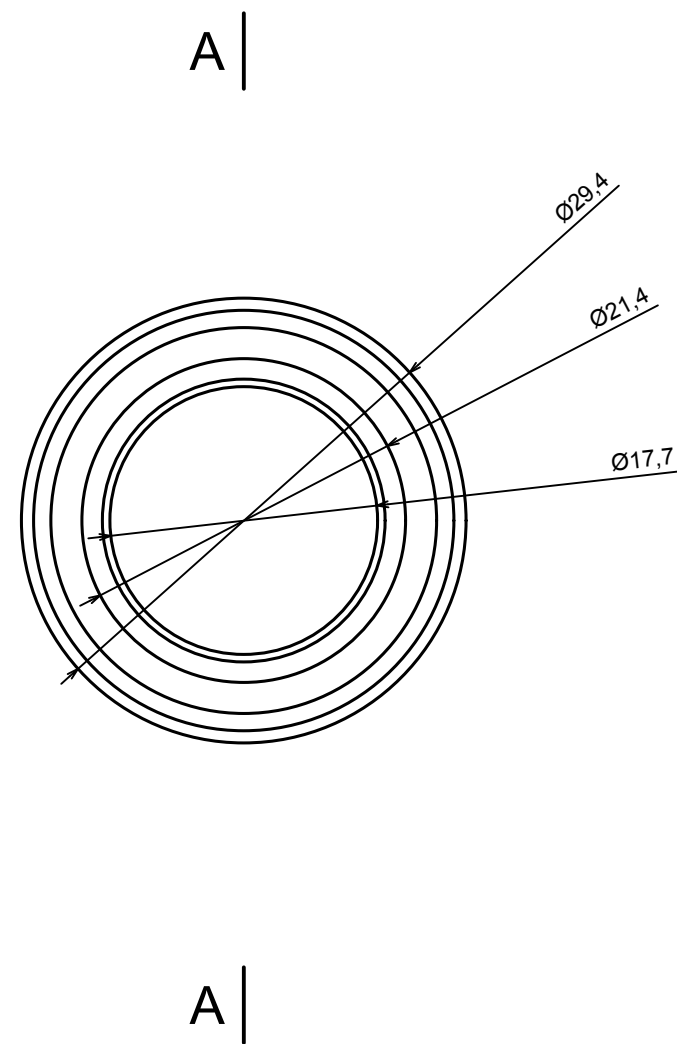
All rights reserved, Copyright Kradex 2018

Product model Enclosure Z1 - Small Cover

Format: A3 Material: PS, ABS

Scale 1:1 Tolerance: +/- 0.8





All rights reserved, Copyright Kradex 2017		
Product model	Enclosure Z61 - Plug	
Format: A3	Material: Rubber	
Scale 2:1	Tolerance: +/- 1	