
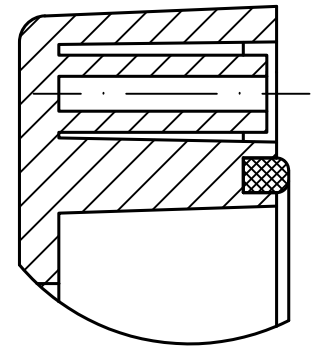
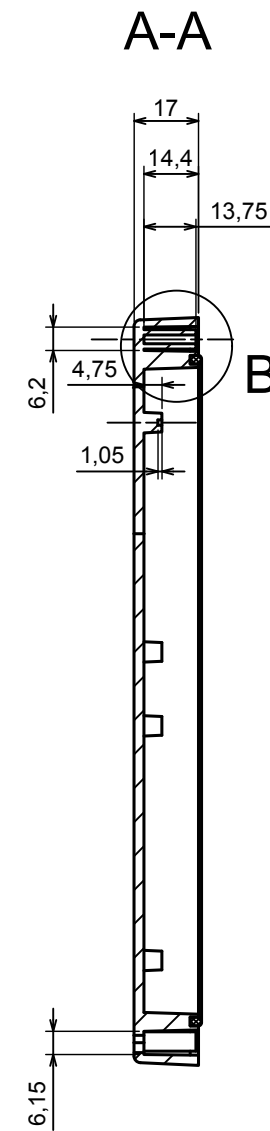
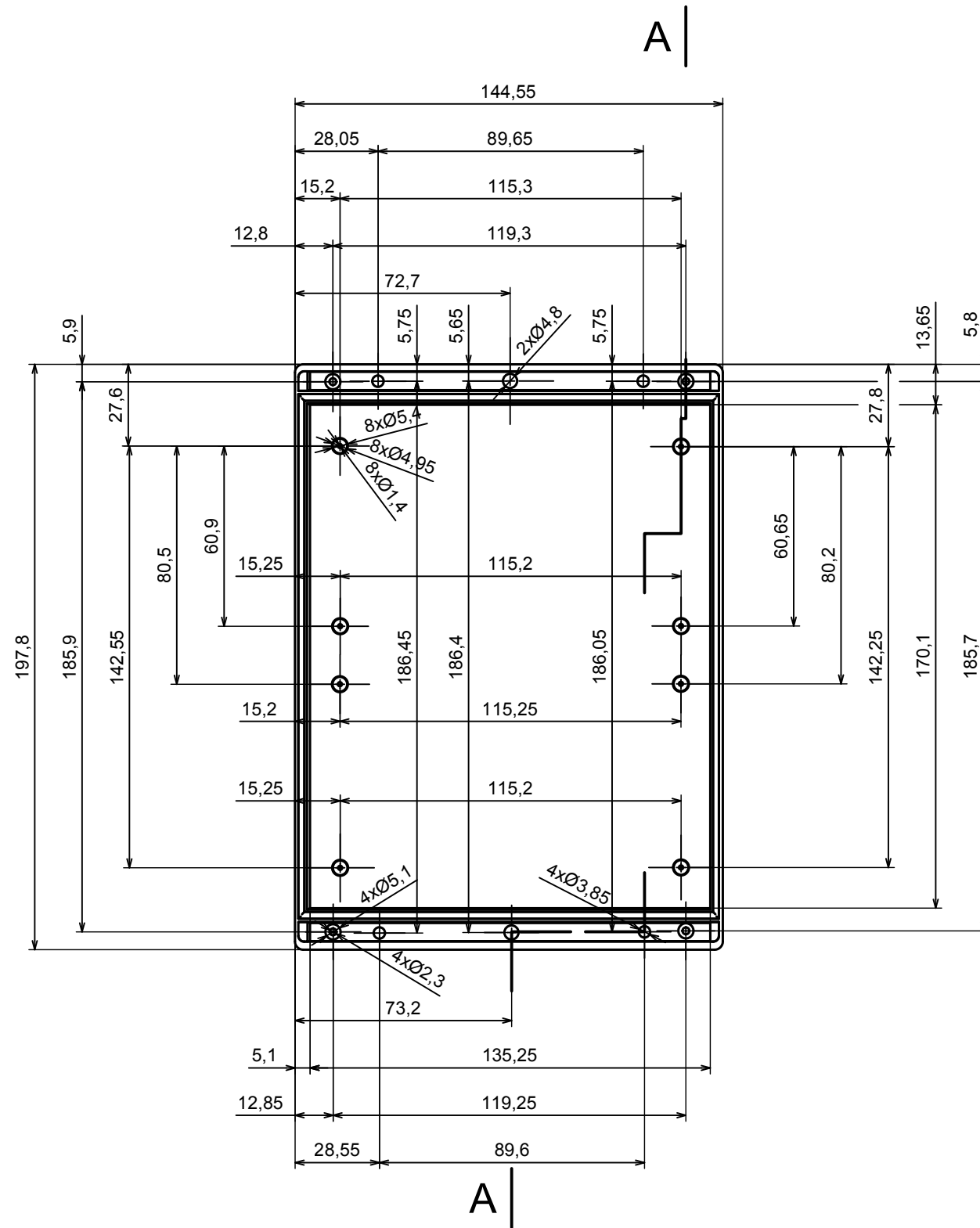


|  |                           |   |
|--|---------------------------|---|
| All rights reserved, Copyright Kradox 2016 |                           |   |
| Product model                              | Enclosure Z46S - assembly |   |
| Format: A3                                 | Material: PS, ABS         |  |
| Scale 1:2                                  | Tolerance: +/- 0.8        |   |

B (2:1)



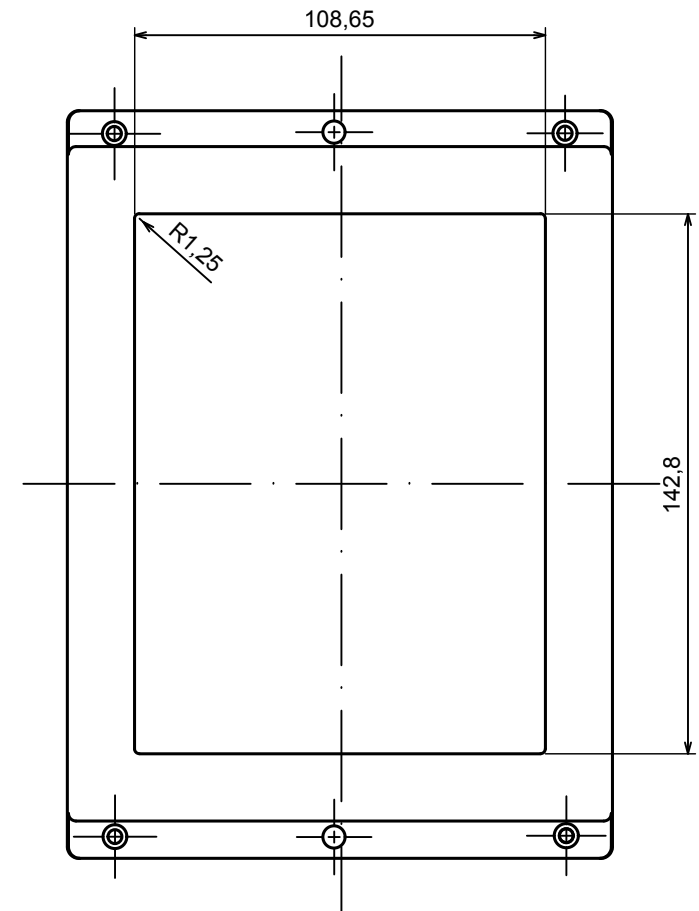
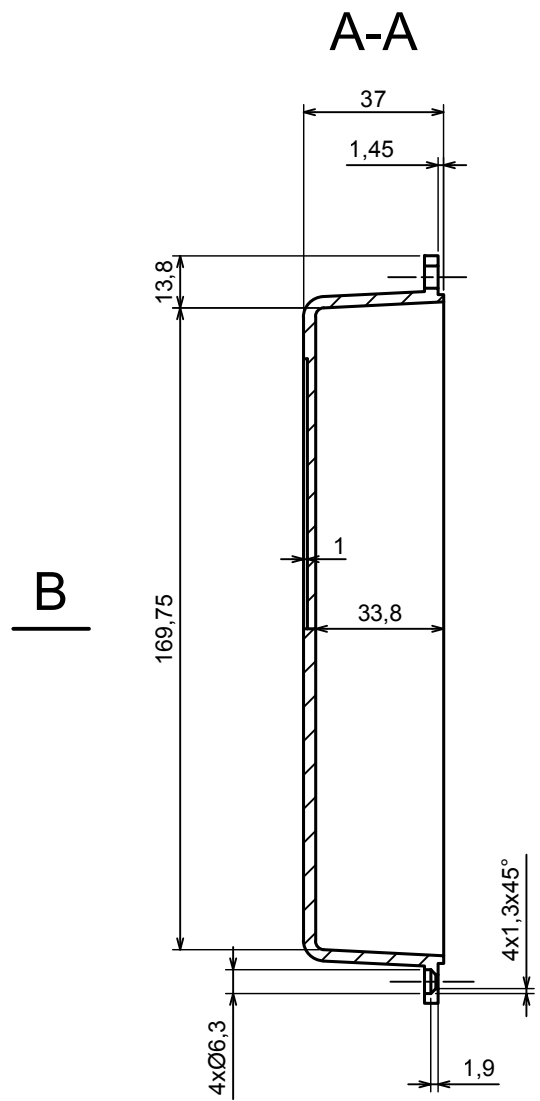
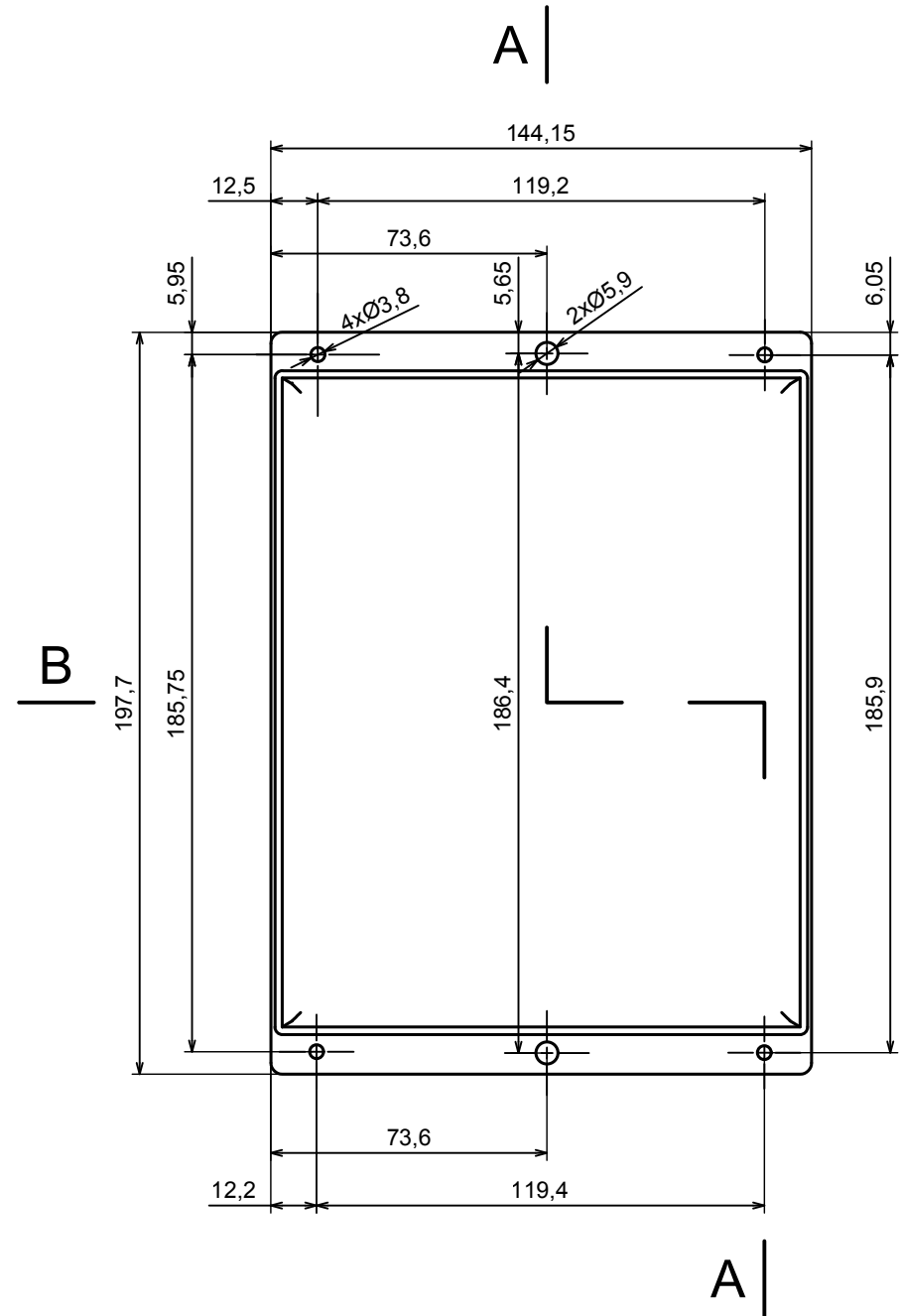
All rights reserved, Copyright Kradox 2016

Product model: Enclosure Z46S - base

Format: A3      Material: PS, ABS

Scale 1:2      Tolerance: +/- 0.8





|  |                        |
|--|------------------------|
| All rights reserved, Copyright Kradox 2016 |                        |
| Product model                              | Enclosure Z46S - cover |
| Format: A3                                 | Material: PS, ABS      |
| Scale 1:2                                  | Tolerance: +/- 0.8     |

