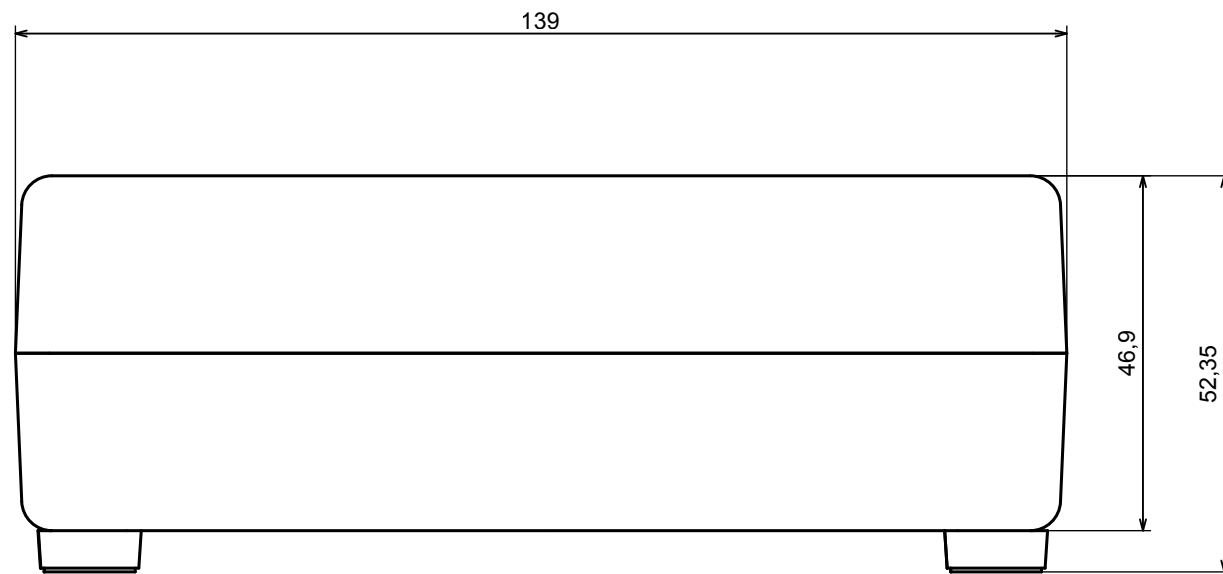
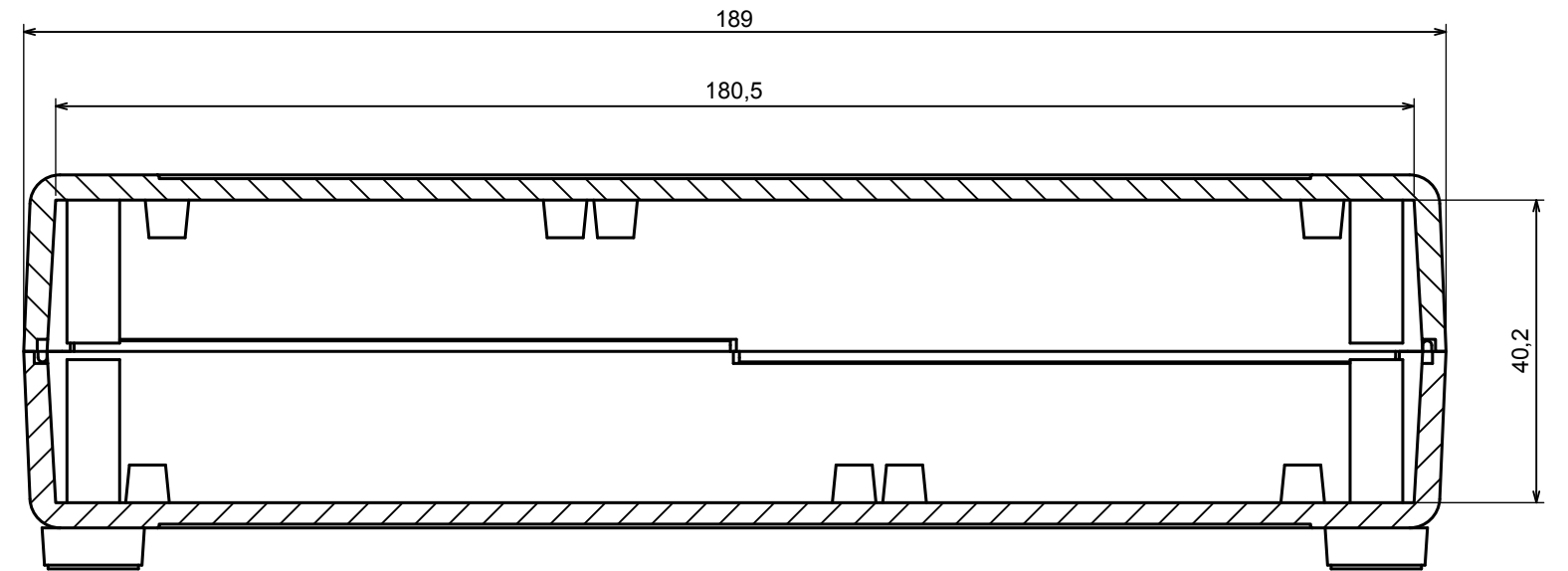


A |



A |

A-A



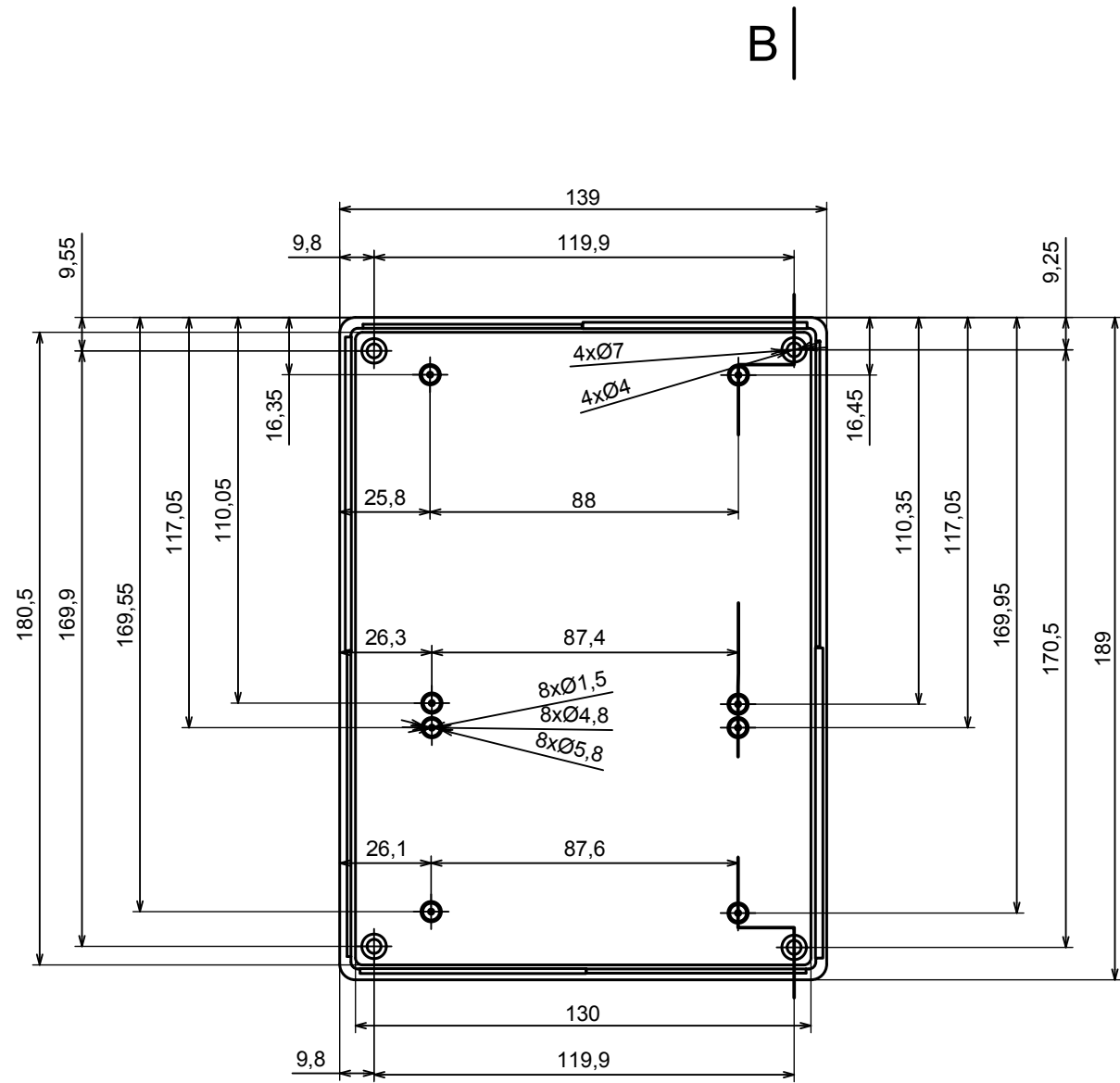
All rights reserved, Copyright Kradex 2016

Product model Enclosure Z33 - Assembly

Format: A3 Material: PS, ABS

Scale 1:1 Tolerance: +/- 0.5

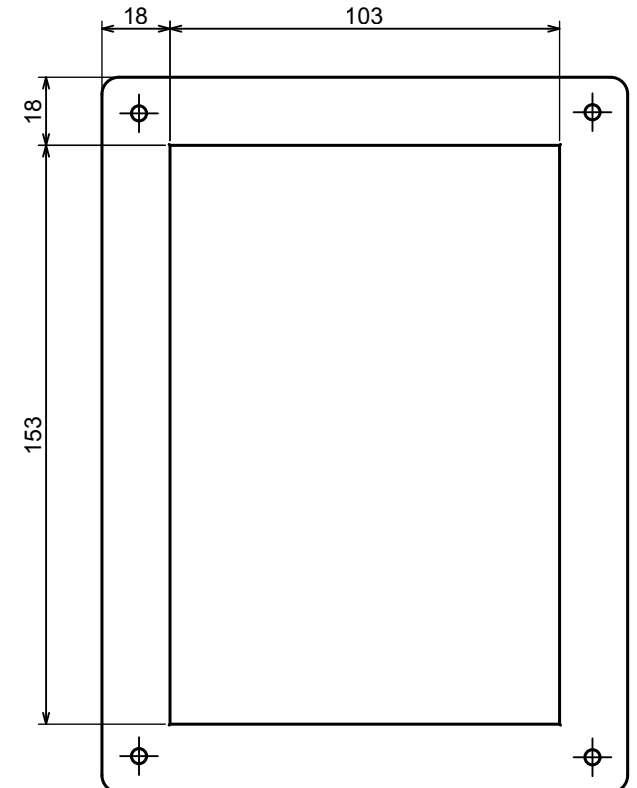
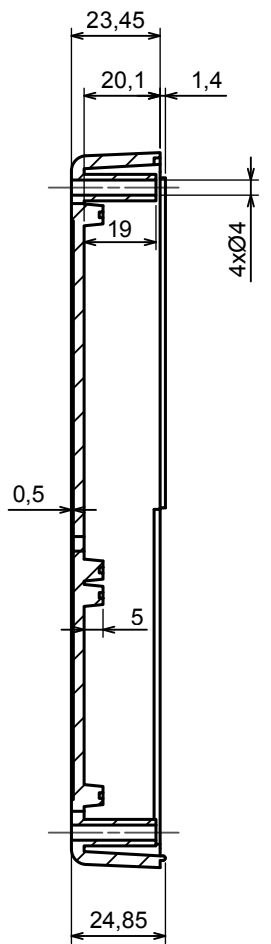





B |

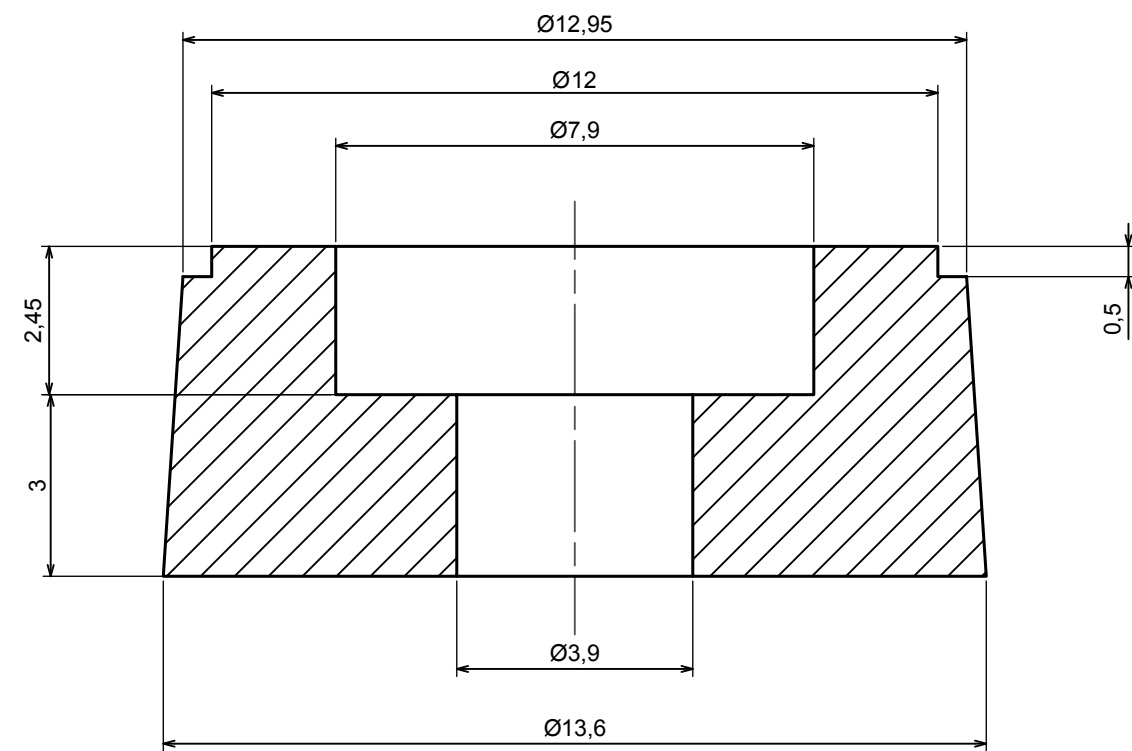
B |

B-B



All rights reserved, Copyright Kradox 2016		
Product model	Enclosure Z33 - Base	
Format: A3	Material: PS, ABS	
Scale 1:2	Tolerance: +/- 0.5	





All rights reserved, Copyright Kradox 2016

Product model: Enclosure Z33 - Foot

Format: A3      Material: PS, ABS

Scale 8:1      Tolerance: +/- 0.5

