

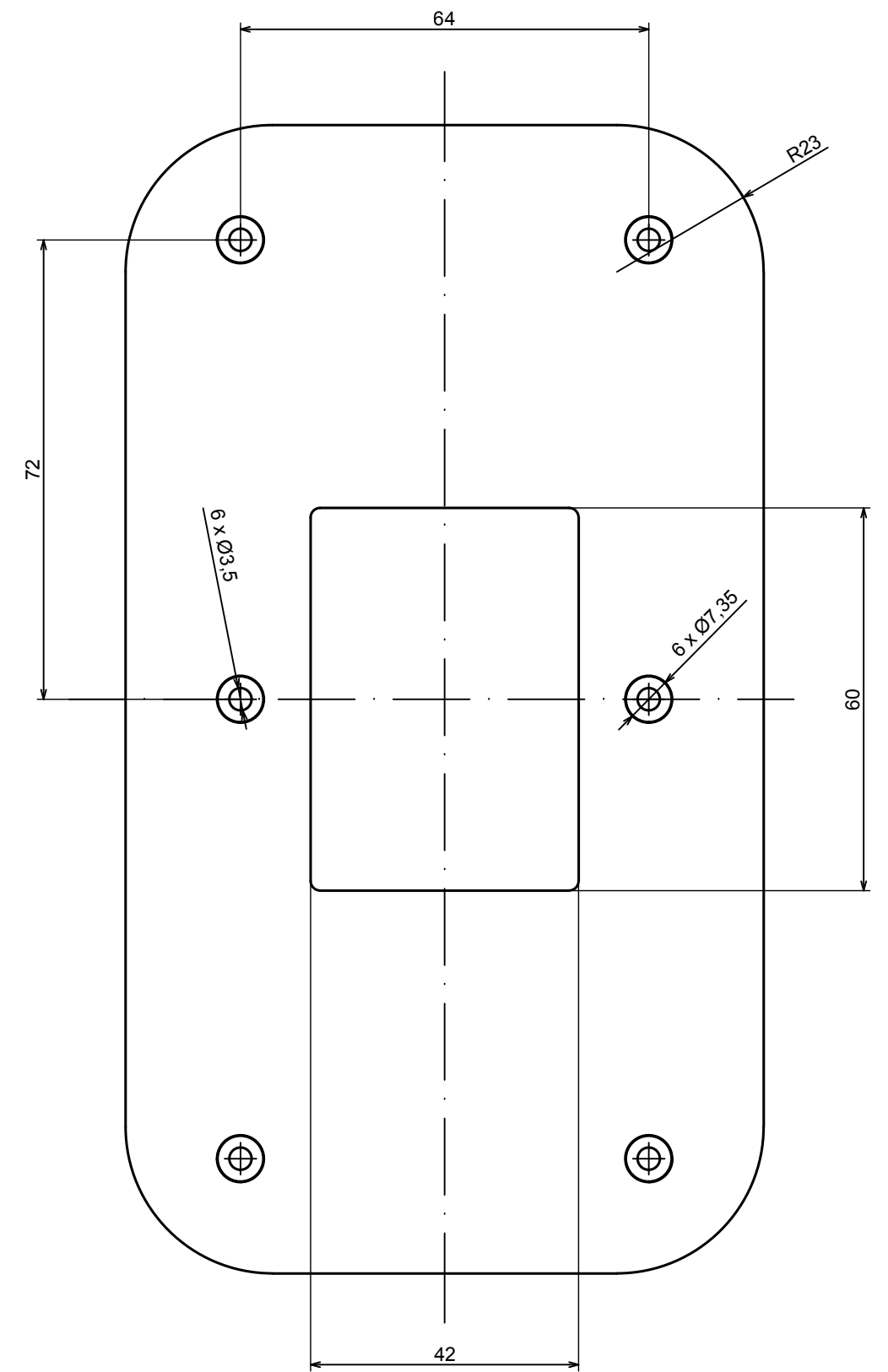
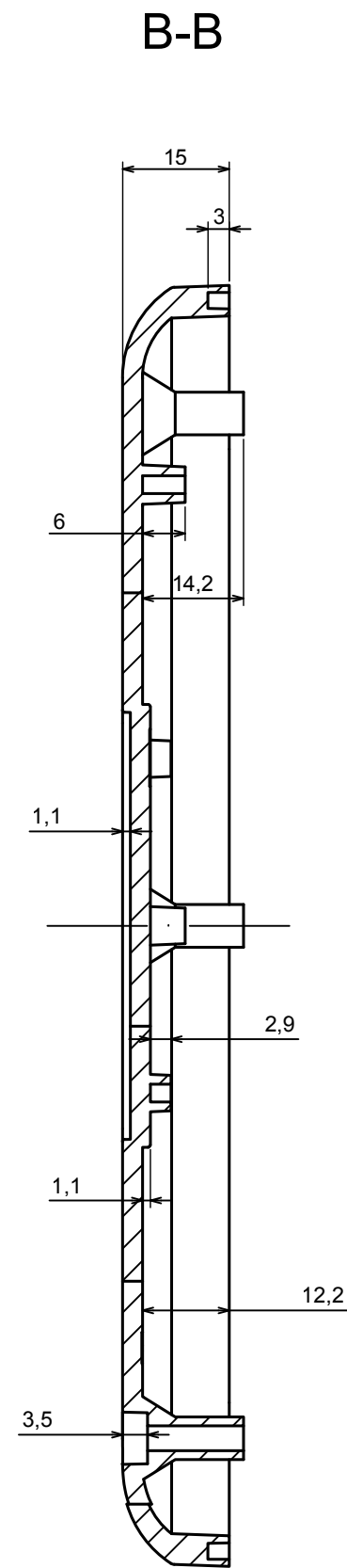
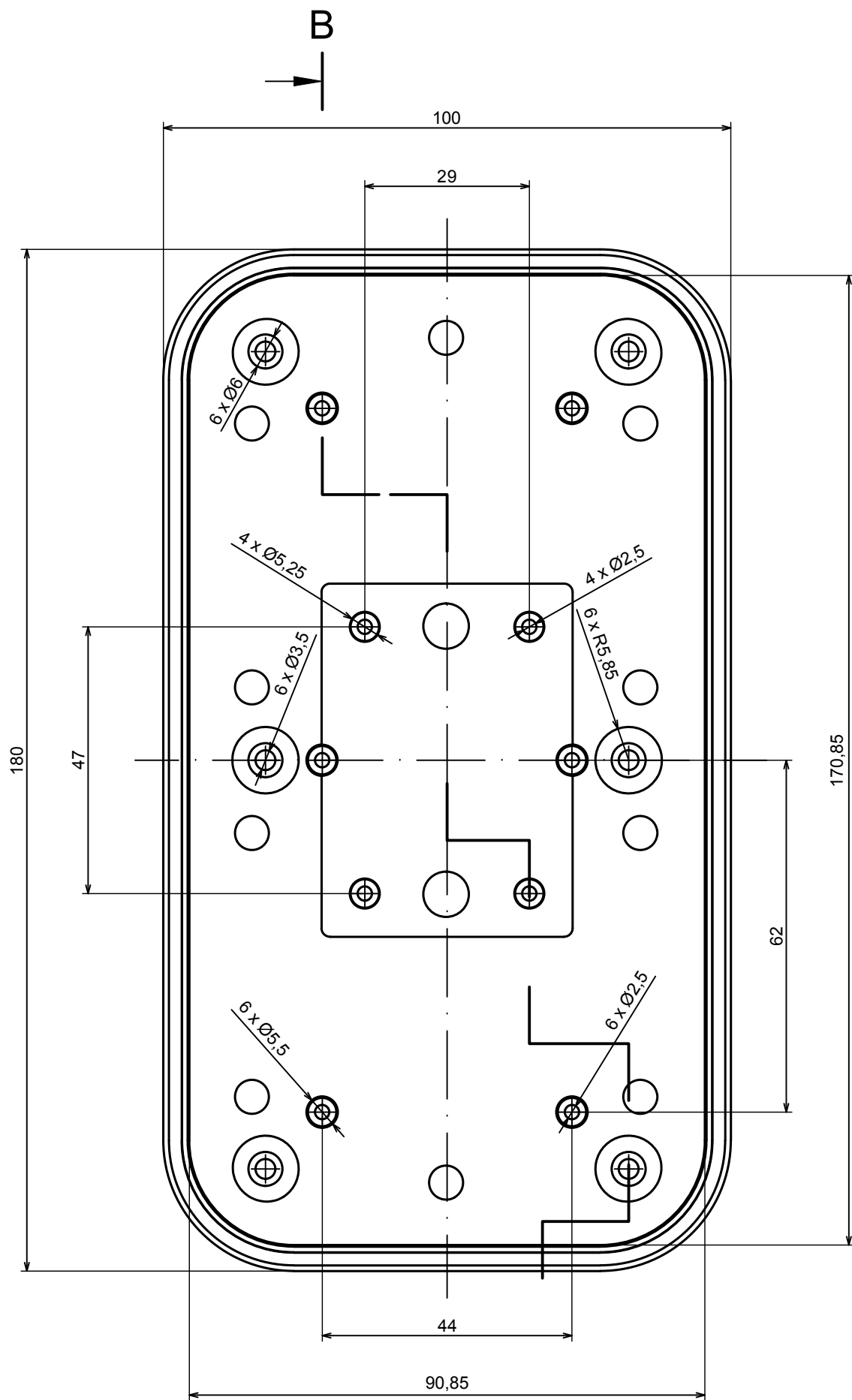
All rights reserved. Copyright Kradox 2019

Product model Enclosure Z127A - Assembly

Format: A3 Material: ABS

Scale 1:1 Tolerance: +/- 0,5





All rights reserved. Copyright Kradox 2019

Product model

Enclosure Z127A - Base

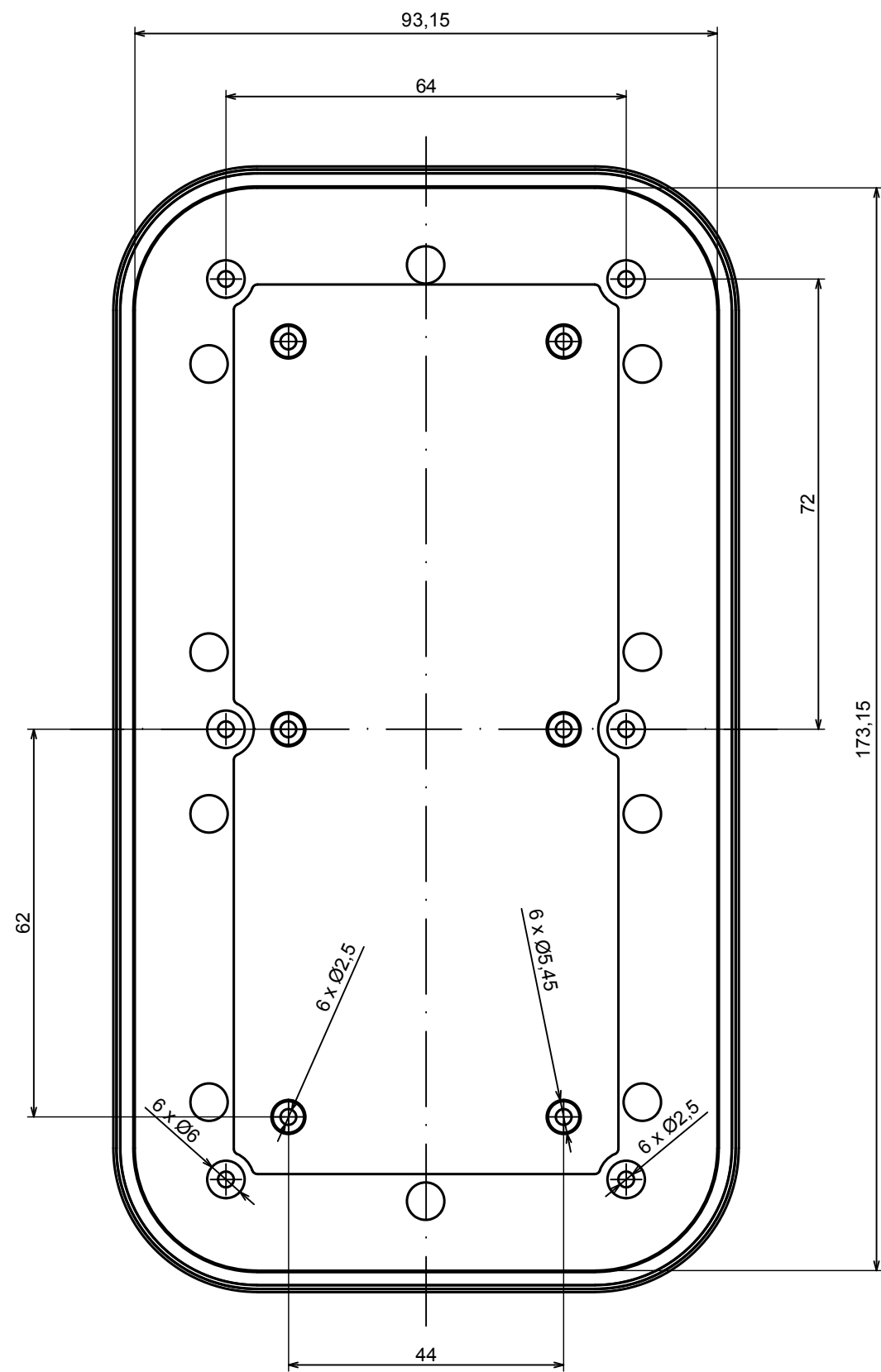
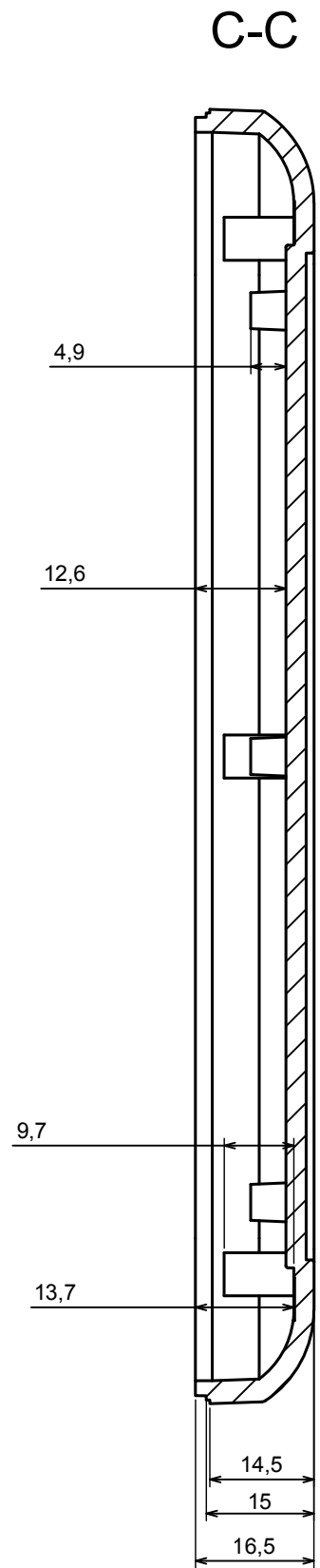
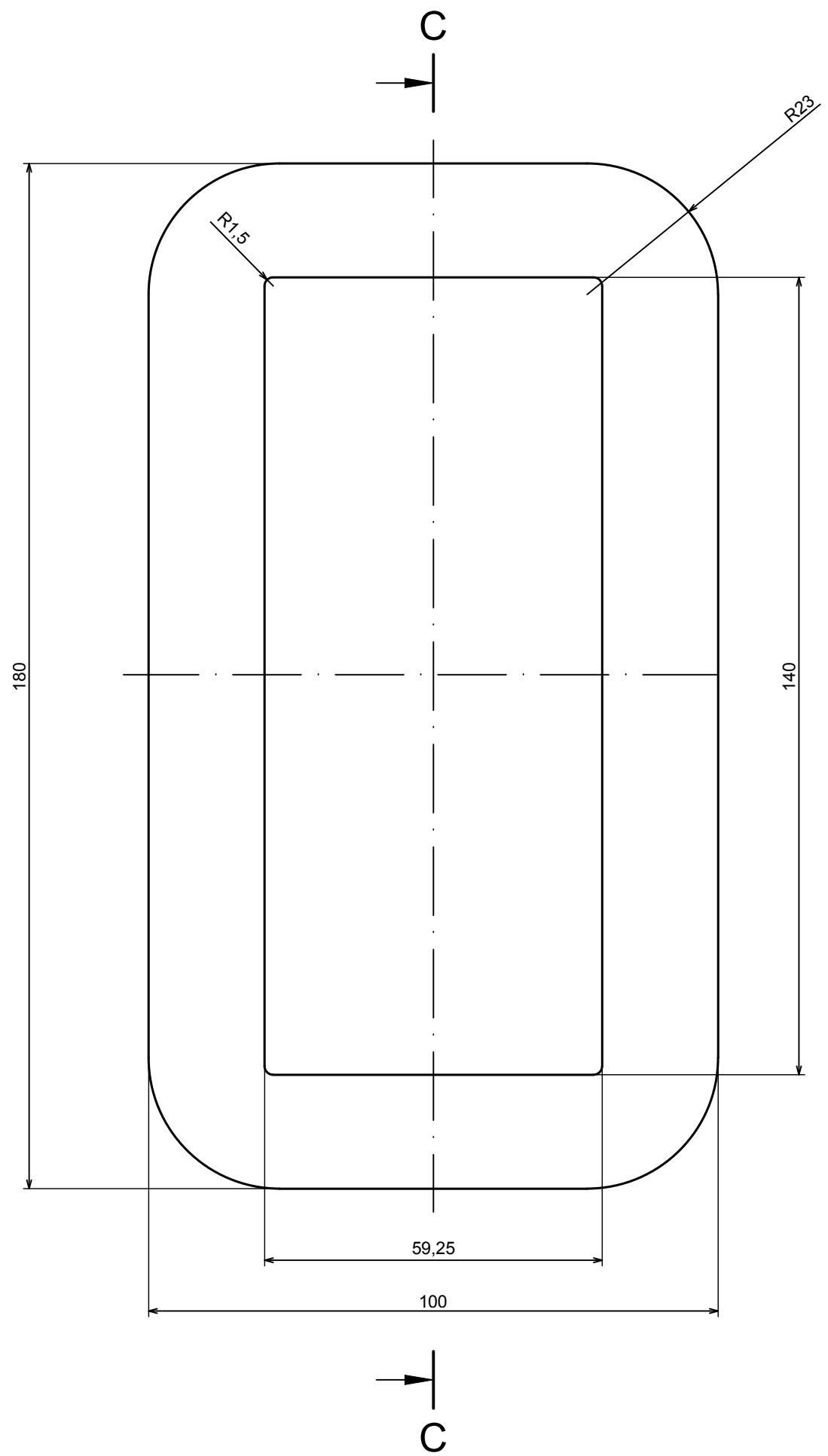
Format: A3

Material: ABS

Scale 1:1

Tolerance: +/- 0,5





All rights reserved. Copyright Kradox 2019

Product model Enclosure Z127A - Cover

Format: A3 Material: ABS

Scale 1:1 Tolerance: +/- 0,5

