

SEALED ENCLOSURES

**SERIES
200**

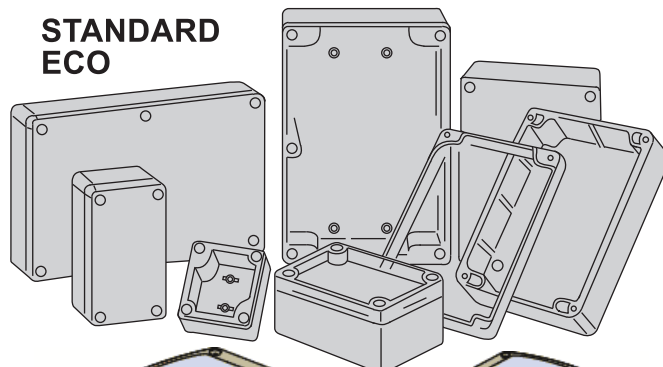
These enclosures are designed to IP65 specifications and are ideal for use in the electrical and electronic industries for use where modern design is important. The moulded enclosures are offered in two different designs and a variety of colours.

The EURO version with designed curved lid and the ECO version with the classic flat lid. Both are available with label recess or without. The depth of the label recess can be changed to fit a thin label (0,3 mm) or a thicker keyfoil (1,1 mm).

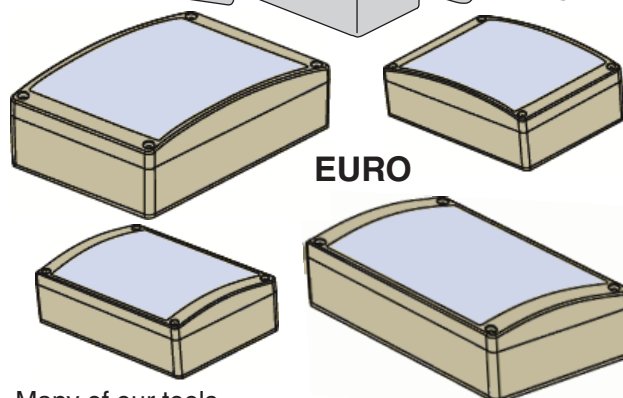
DESIGN FEATURES:

- * Cover screws 1/4 turn or optional M4 stainless steel non-magnetic and fasten into threaded brass inserts
- * Wall mounting holes and cover attaching screws are outside the sealing, thus preventing ingress of moisture and dust.
- * The internal bosses for self tapping screws allow mounting of PCB horizontally or for connection of terminals etc., are fully flexible and can be placed according to customers wishes on order. Brass inserts are optional.
- * The lid and base are fitted together with a tongue and groove sealing system with an gasket.
- * Low cost black non UL UV resistant and other colours are available.
- * NEW also available in black and white.

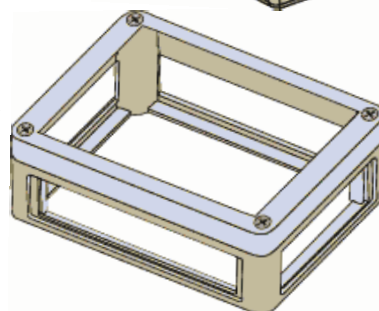
STANDARD ECO



EURO



Many of our tools have inserts on alle sides for customized holes



TECHNICAL DATA:

Material:	ABS Standard (PC on request)	Temperature:	- 40 - +75°C (-40 - +95°C)
Colour:	Grey, lid grey or transparent (RAL 7035) for 1/4 turn screws.	Sealing:	IP65 IEC529 (Dust and hoseproof)
		Selfextinguishing:	Acc. to UL94-VO

Type	SERIES 200 1/4 TURN			External Dimensions / See Specifications				
	Grey/Grey ABS	Clear/Grey ABS	Remarks	L = Length	W = Width	H = Height	A	B
203 ECO	p/n 2069203013	p/n 2069203014	% Recess	115	65	40	25	15
212 ECO	p/n 2069212111	p/n 2069212222	% Recess	115	90	55	40	15
214 ECO	p/n 2069214341	p/n 2069214342	Both 1,1	171	121	55	40	15
218 ECO	p/n 2069218111	p/n 2069218422	% Recess	222	146	55	40	15
220 ECO	p/n 2069220211	p/n 2069220212	% Recess	120	122	55	40	15
222 ECO	p/n 2069222211	p/n 2069222212	% Recess	120	122	100	40	60
230 ECO	p/n 2069230211	p/n 2069230212	% Recess	240	120	100	75	25
258 ECO	p/n 2069258301	p/n 2069258302	Both 0,3	160	80	55	40	15
269 ECO	p/n 2069269101	p/n 2069269102	% Recess	200	120	75	60	15
214 EURO	p/n 2069214421	p/n 2069214132	Both 0,3	171	121	58	40	18
218 EURO	p/n 2069218701	p/n 2069218102	without Recess	222	146	58	40	18
258 EURO	p/n 2069258131	p/n 2069258102	Both 0,3	160	80	58	40	18

Many more p/n available - please inquire

● All measurements are in mm.

Both = Available both with and without recess

% = Without Recess

Technical drawings available on: www.bernic.dk