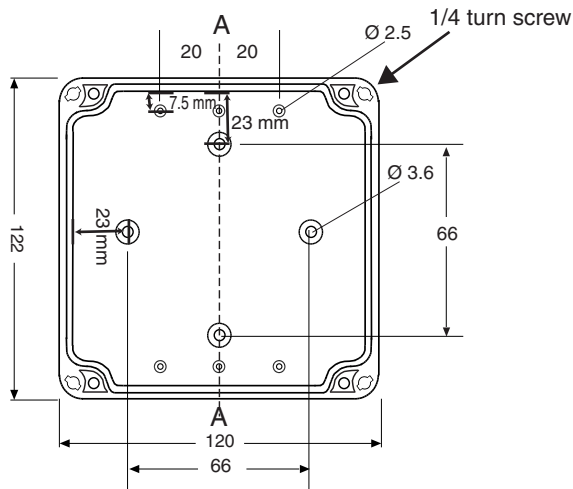
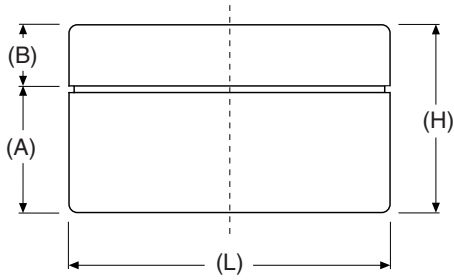
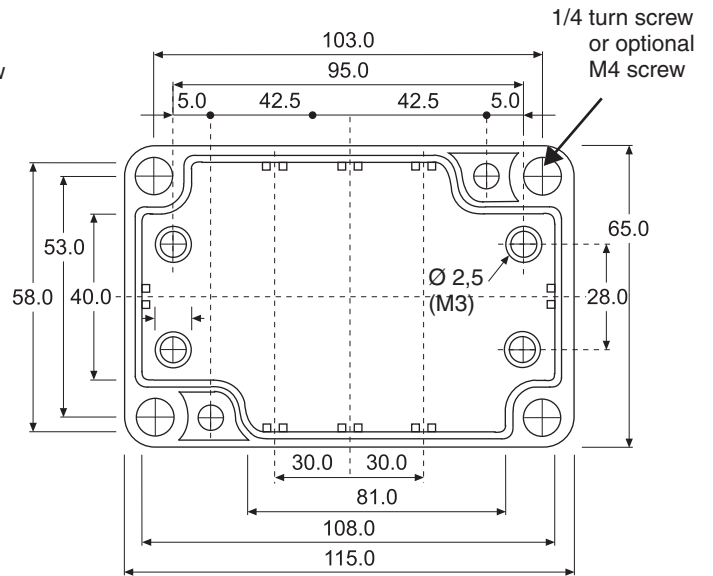
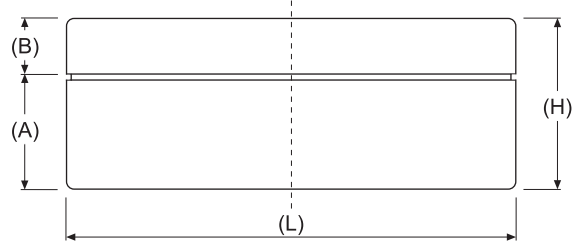


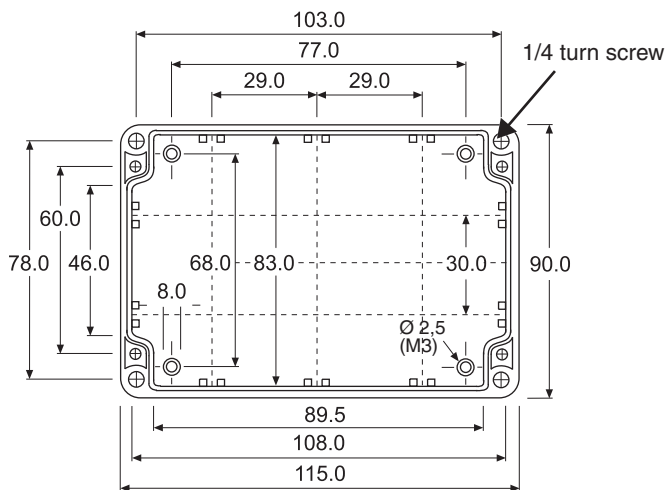
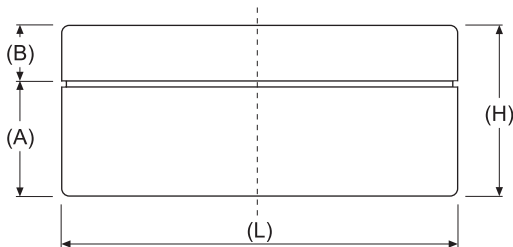
## TYPE 220 + 222



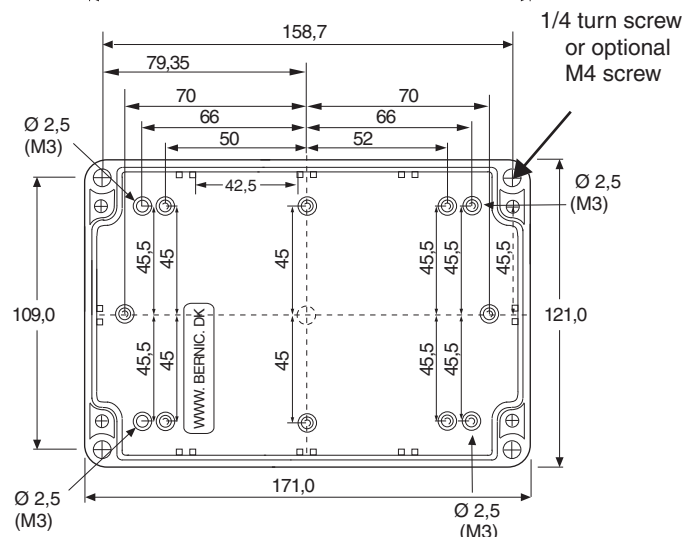
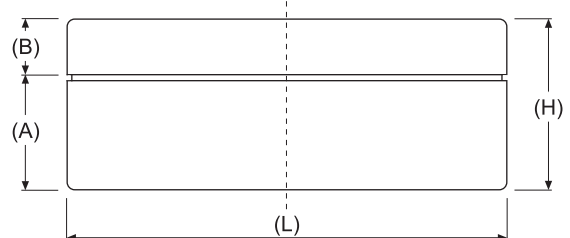
## TYPE 203



## TYPE 212



## TYPE 214



For all types: Spacers can on order be placed and fitted with M3 brass inserts according to customers wishes

● All measurements are in mm.

Technical drawings not shown here are available on: [www.bernic.dk](http://www.bernic.dk)