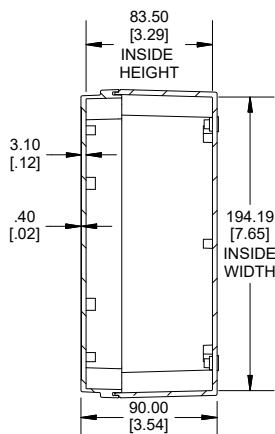
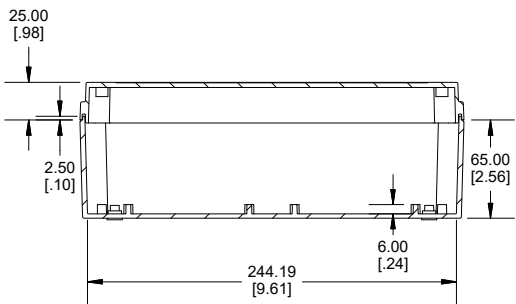
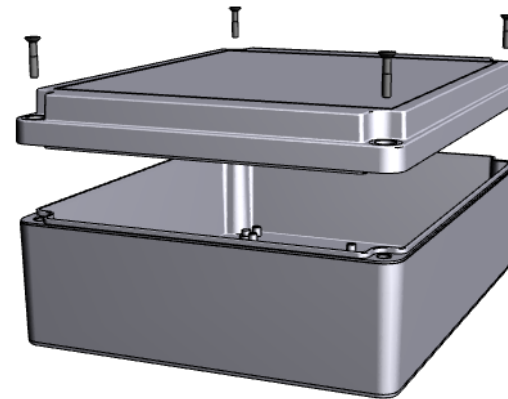


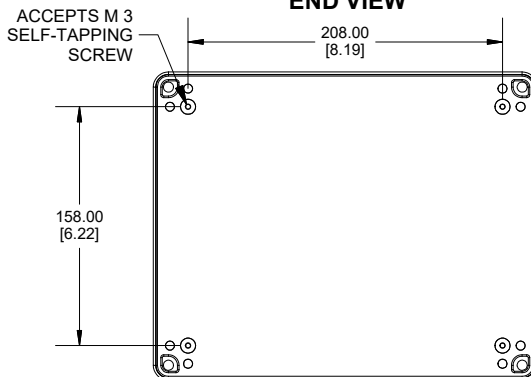
TOP VIEW



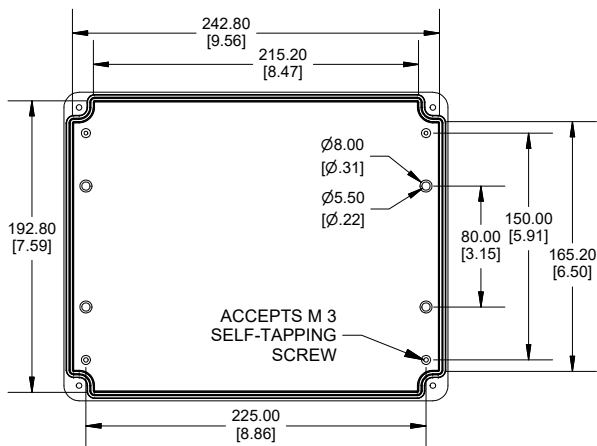
SECTION A-A
END VIEW



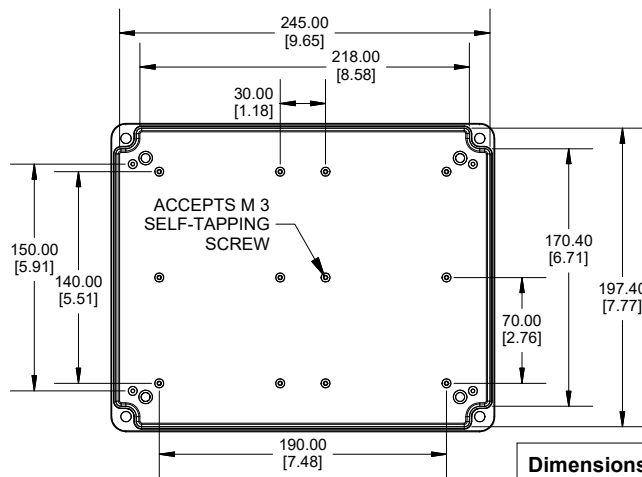
SECTION B-B
SIDE VIEW



BOTTOM BOX



INSIDE LID



INSIDE BOX

Dimensions:
mm
[inches]

Enclosures can be Factory Modified (Milling, Drilling, Printing etc.)
Contact Factory (modshop@hammfg.com) for quotes
Solid models of this enclosure available in .stp or .x_t
(Part number and text placement/orientation on our products are subject to change,
we do not recommend using them as a locating reference for modification purposes)

NOTE	
Purchased assembly includes box, lid, string gasket, 4 PCB screws, and 4 lid screws.	
Recommended Torque : (43-50) Ozf.in / (30-35) cN.m	
RS Enclosure	
General Purpose ABS Light Grey (UL94 HB)	RS5105S
ACCESSORIES	
Lid Screw (M4 X20mm Self-tapping) With O-ring (50 Pkg)	SC618-50
PCB Screw (M3 X6mm Self-tapping) (50 Pkg)	SC622-50
String Gasket EPDM Grey (2 Pkg)	RS510GASKET

