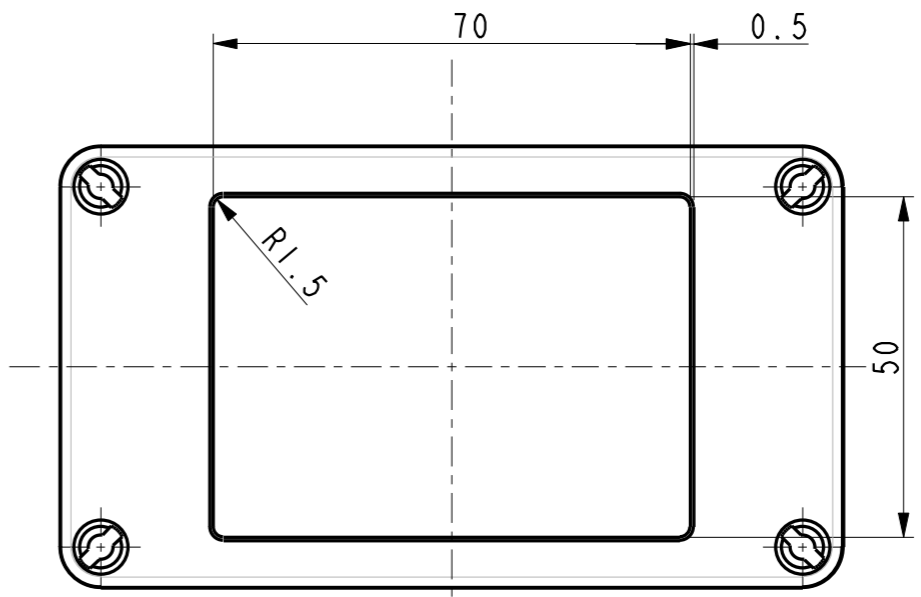
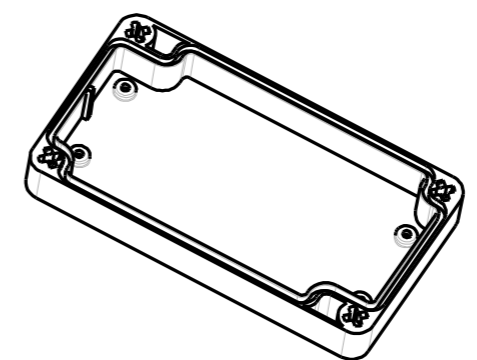
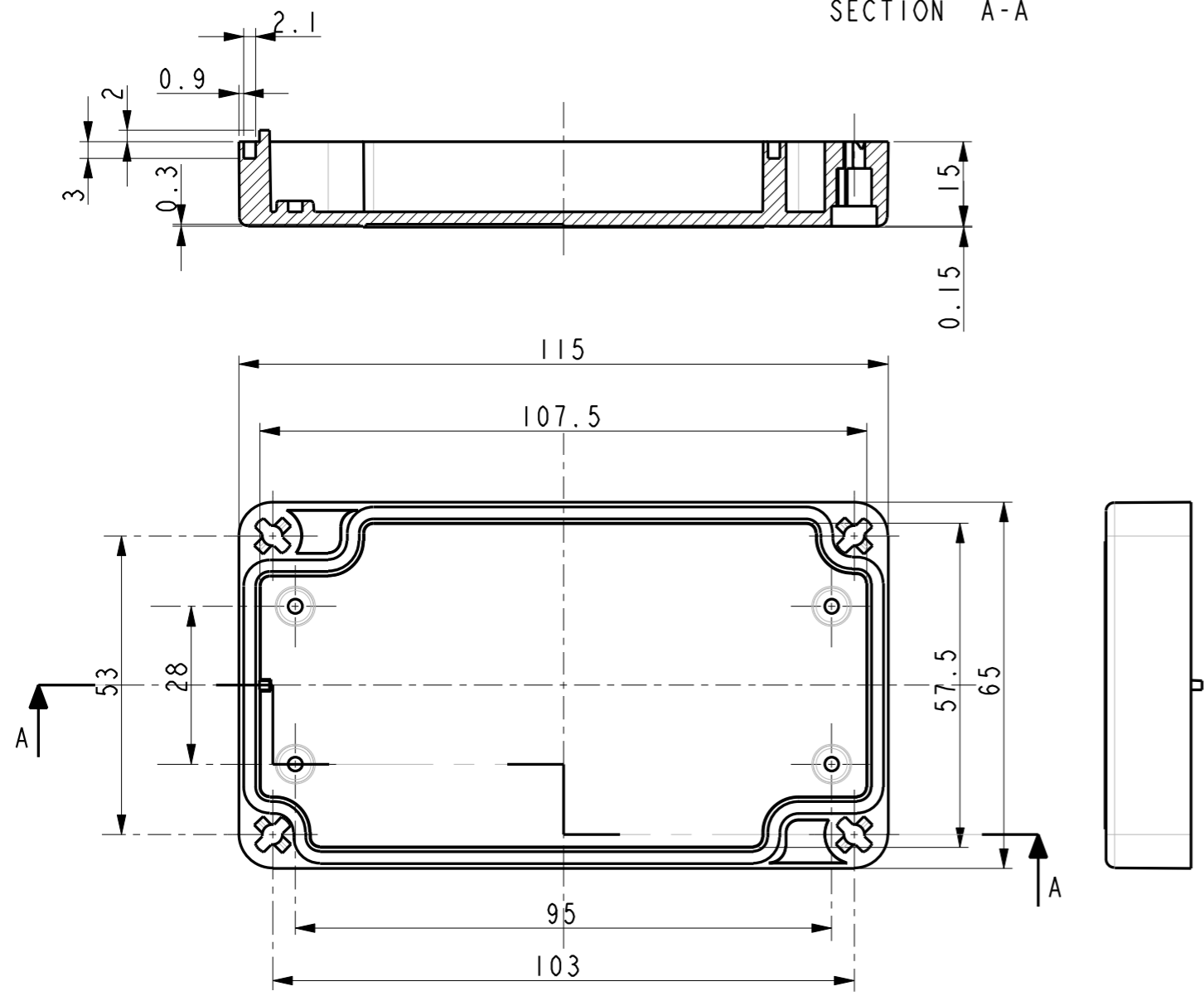


SECTION A-A

SCALE 0.500



Outer surfaces: Charmilles 28 (Ra 2,3 μm)
except label area 70 X 50 : smooth (polished)

The outer label area (71 X 51)
must be made as an insert in the tool.

Dato: 29-Jan-09		BERNIC A/S	
Skala: 1.000	Kunde:	Sheet 1 of 1	
Tol.:	Materiale:	Farve:	
DS/ISO 2768 - m	Polycarbonate	Grey RAL 7035	
Emne nr.:	3D model: COVER_203-5_FLAT	Tegn. nr.: BC 289	
Betegnelse:	Sealed enclosure type 203, flat cover, rev. 5		Fil: COVER_203-5_FLAT