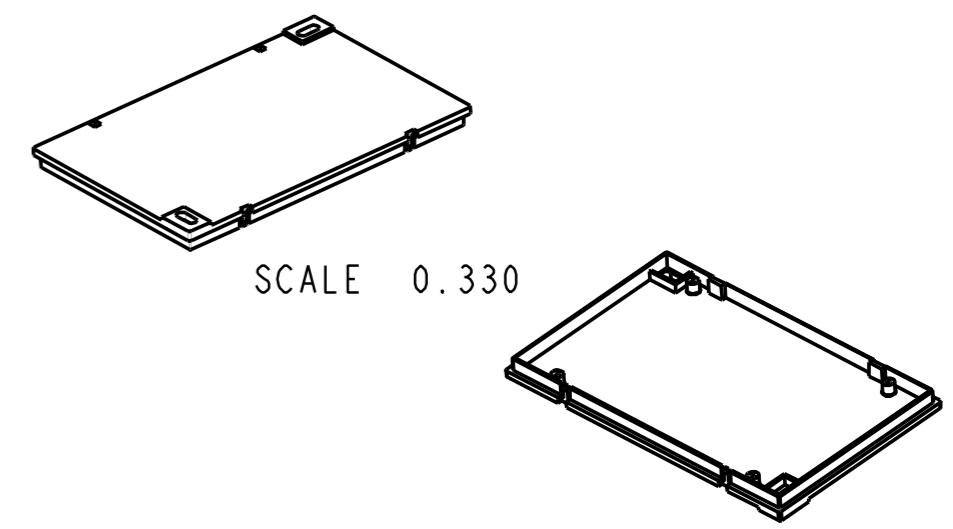


The tool have to respect manufacturing of the part also without 4 stays.



Dato: 21-Jul-18	BERNIC A/S	
Skala: 0.750	Kunde:	Sheet 1 of 1
Tol.: DS/ISO 2768 - m	Materiale: ABS	Farve: Grey
Emne nr.: P/N 0669003852	3D model: BOTTOM_BC_850_REV_A	Tegn. nr.: BC 437
Betegnelsen:	Bottom for BC 850 (with spacers)	Fil: BOTTOM_BC_850_REV_A