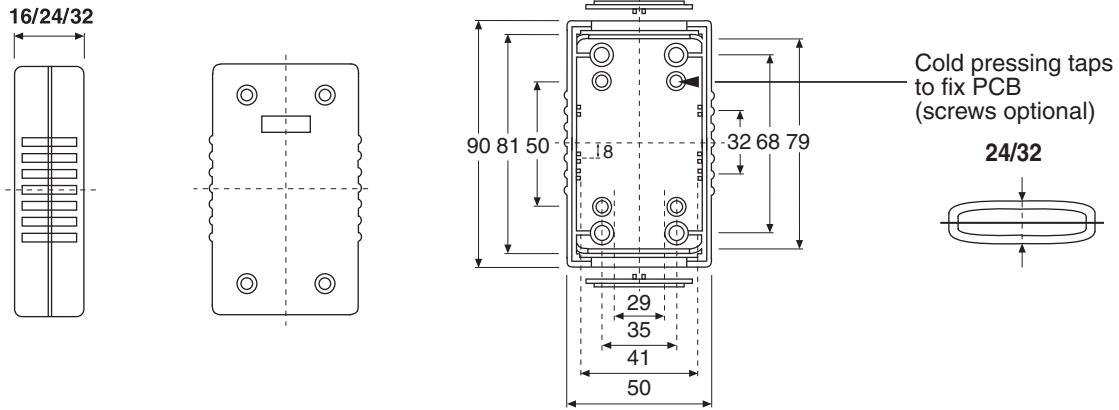
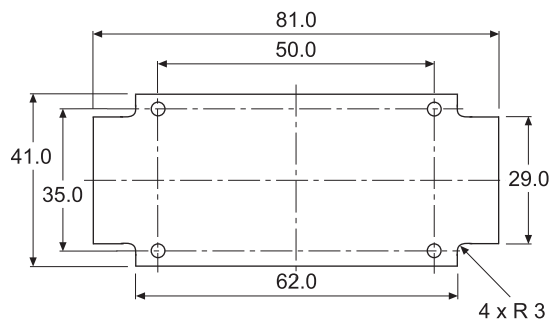


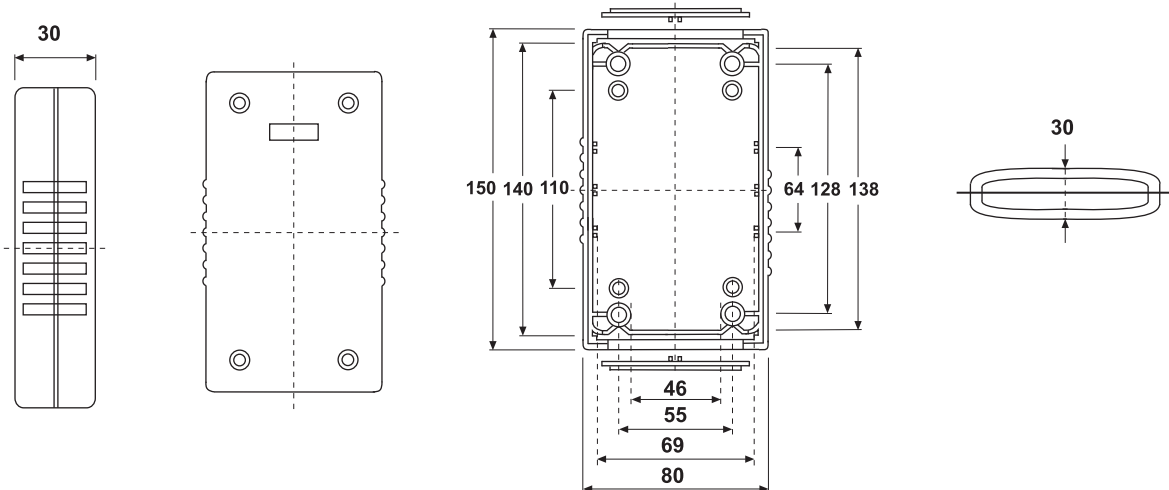
TYPE 403



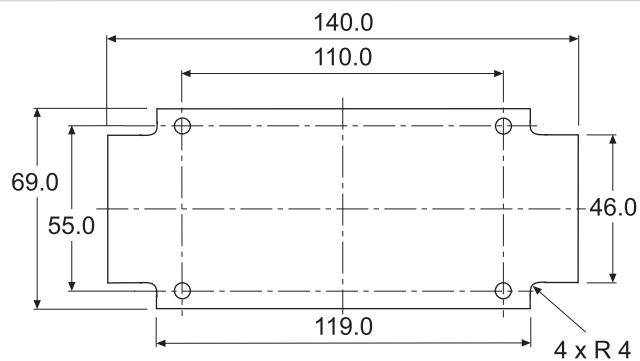
PCB DIMENSIONS FOR 403



TYPE 413



PCB DIMENSIONS FOR 413



● All measurements are in mm.