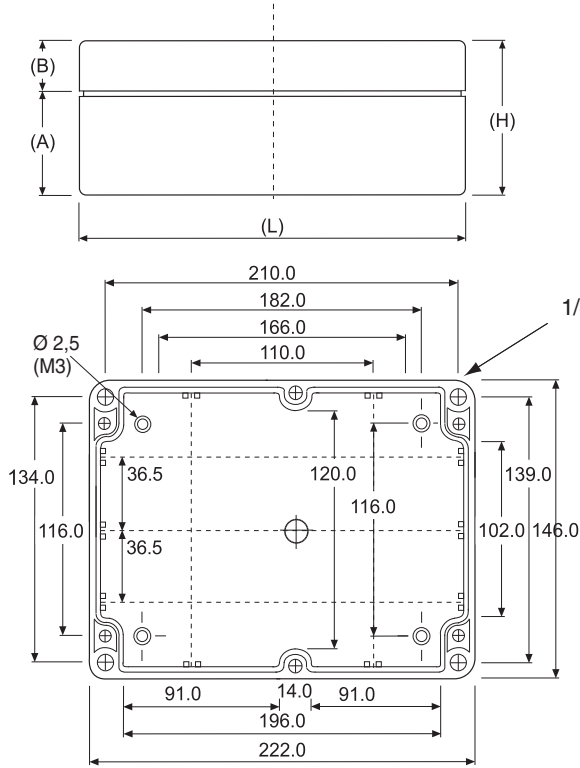
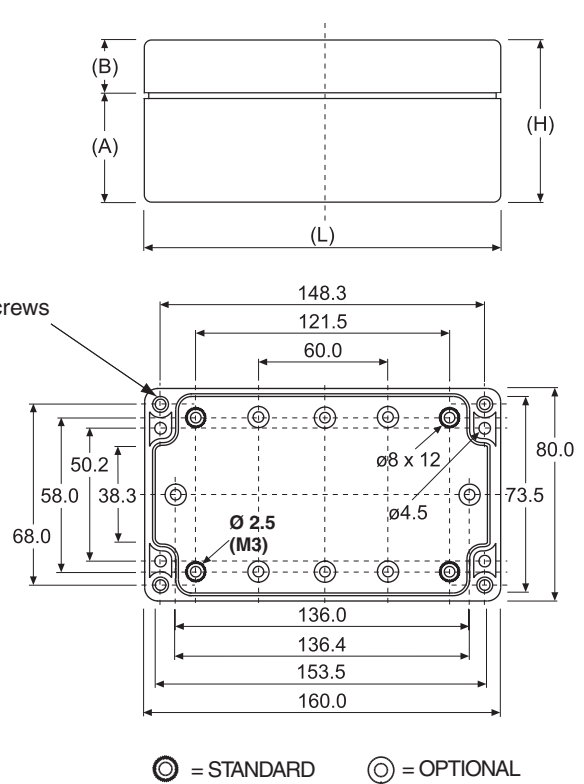


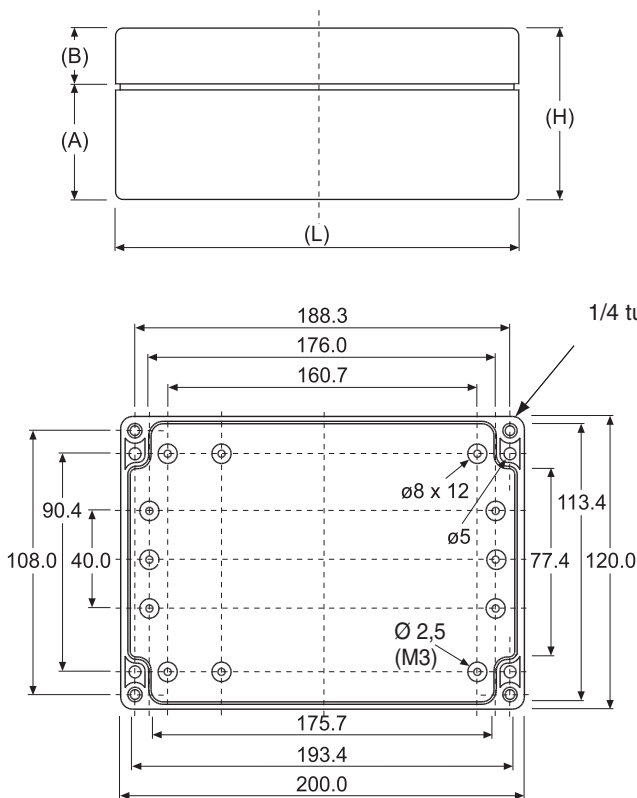
TYPE 218



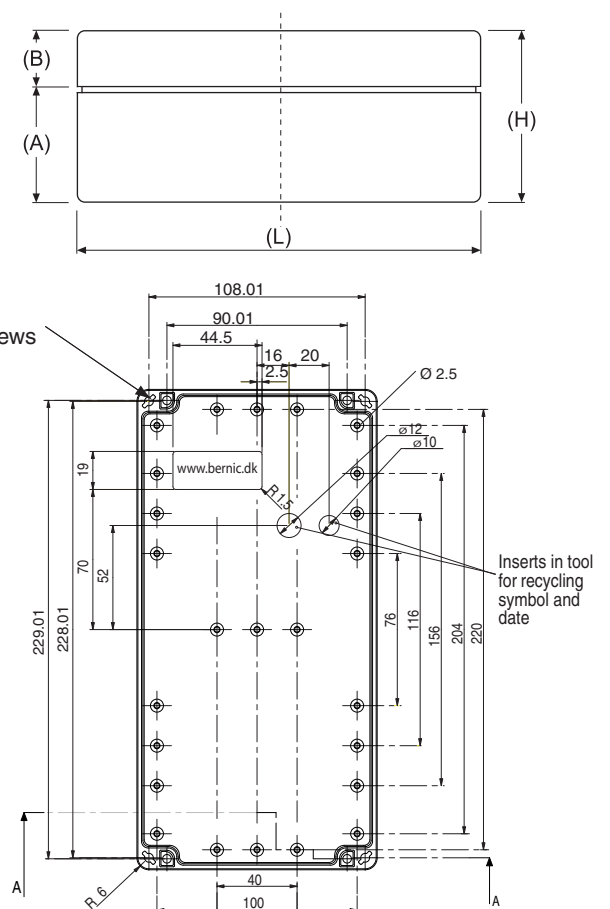
TYPE 258



TYPE 269



TYPE 230



For all types: Spacers can on order be placed and fitted with M3 brass inserts according to customers wishes

● All measurements are in mm.

Technical drawings not shown here are available on: www.bernic.dk