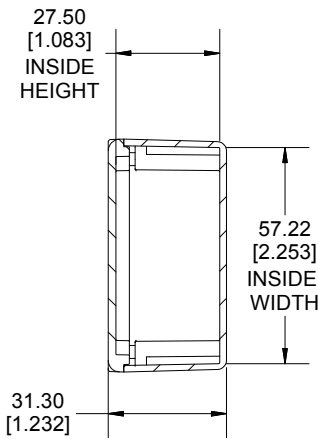
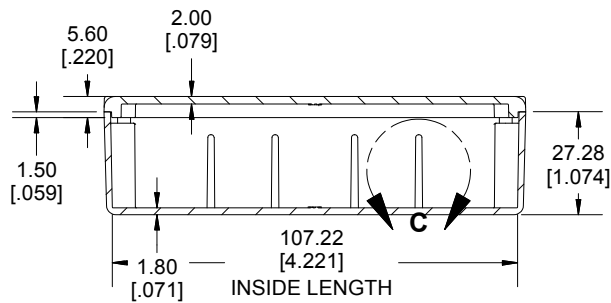
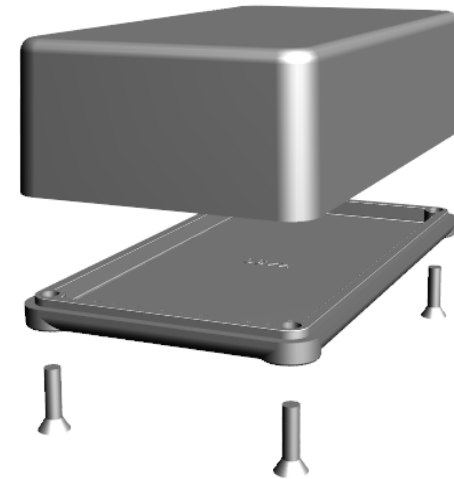


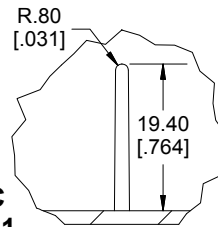
TOP VIEW



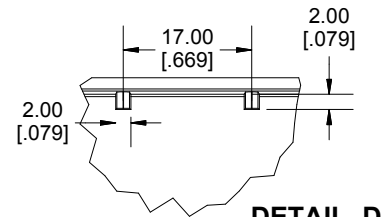
SECTION A-A  
END VIEW



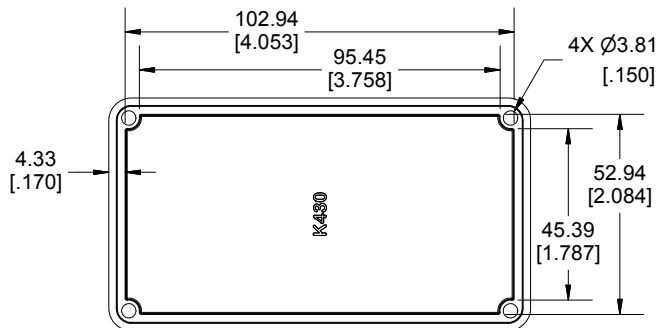
SECTION B-B



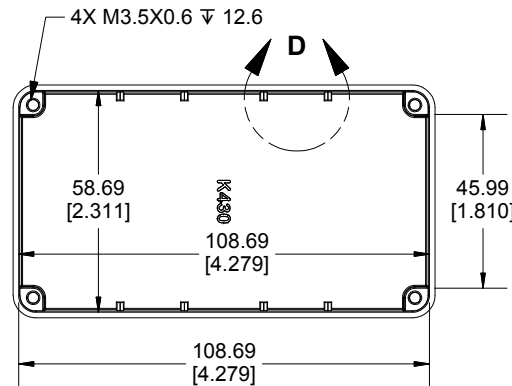
DETAIL C  
SCALE 1 : 1



DETAIL D  
SCALE 1 : 1



INSIDE LID



INSIDE BOX

Dimensions:  
mm  
[inches]

Enclosures can be Factory Modified ( Milling, Drilling, Printing etc.)  
Contact Factory [mjm@hammondmfg.com](mailto:mjm@hammondmfg.com) for quotes  
Solid models of this enclosure available in STEP or IGES.  
(Part number and text placement/orientation on our products are subject to change,  
we do not recommend using them as a locating reference for modification purposes)

NOTE	
Purchased assembly includes box, lid and 4 cover screws.	
Box and lid are made from Diecast Zinc Alloy.	
Recommended Torque: 50-55 cN.m [71-78 ozf.in]	

PART NUMBERS	
1590K430 Enclosure	
Natural Finish Enclosure	1590K430
Black Textured Enclosure	1590K430BK
ACCESSORIES	
Plated Cover Screws (Pkg 100) [M3.5 x 12mm]	1550MS100
Black Cover Screws (Pkg 100) [M3.5 x 12mm]	1550MS100BK

**HAMMOND  
MANUFACTURING®**  
**1590K430**  
[www.hammondmfg.com](http://www.hammondmfg.com)