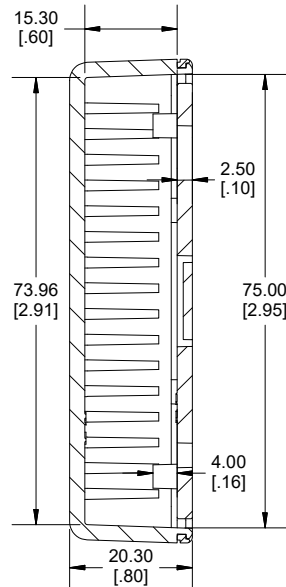
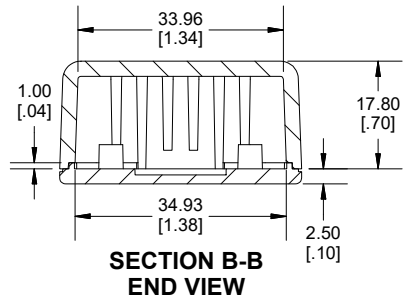


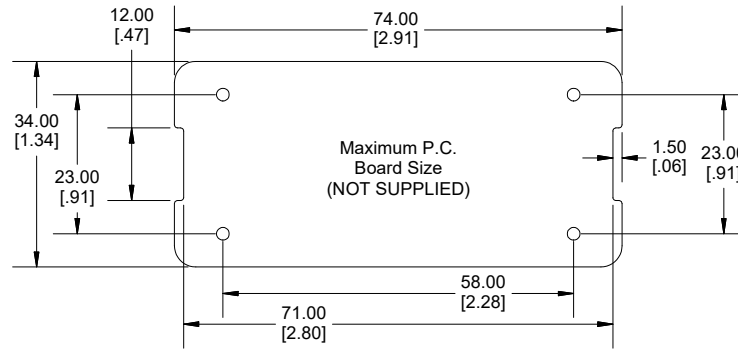
TOP VIEW



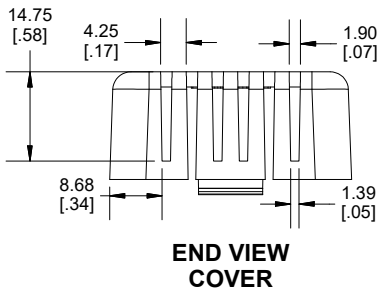
**SECTION A-A
SIDE VIEW**



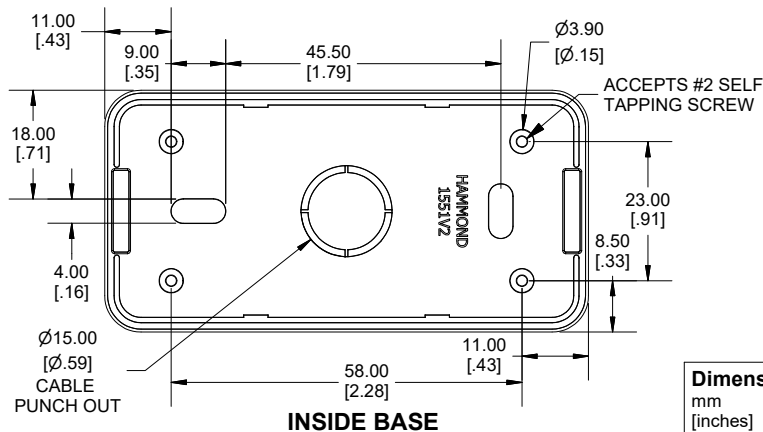
**SECTION B-B
END VIEW**



Maximum P.C.
Board Size
(NOT SUPPLIED)



**END VIEW
COVER**



INSIDE BASE

Dimensions:
mm
[inches]

Enclosures can be Factory Modified (Milling, Drilling, Printing etc.)
Contact Factory (modshop@hammfg.com) for quotes
Solid models of this enclosure available in .stp or .x_t
(Part number and text placement/orientation on our products are subject to change,
we do not recommend using them as a locating reference for modification purposes)

NOTE

Purchased assembly includes snap together base and cover. Enclosure molded from general purpose ABS Plastic.
Other materials / colours available consult factory.

Recommended Torque : (35-43) Ozf.in / (25-30) cN.m

PART NUMBERS

1551V2 Enclosure

Black Enclosure - UL94 - HB	1551V2BK
Gray Enclosure - UL94 - HB	1551V2GY
White Enclosure - UL94 - HB	1551V2WH

ACCESSORIES

P.C. Board Plastite Self Tapping Screw [#2 x 3/16" self-tapping (4.8mm)]	1553WTS100 (Pkg 100)
---	----------------------



**HAMMOND
MANUFACTURING.
1551V2**

www.hammondmfg.com