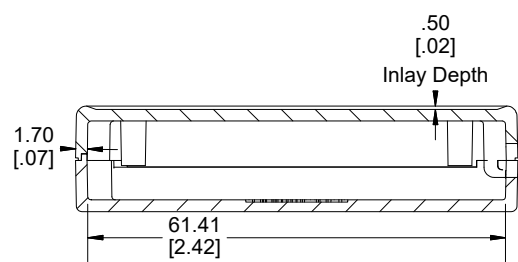
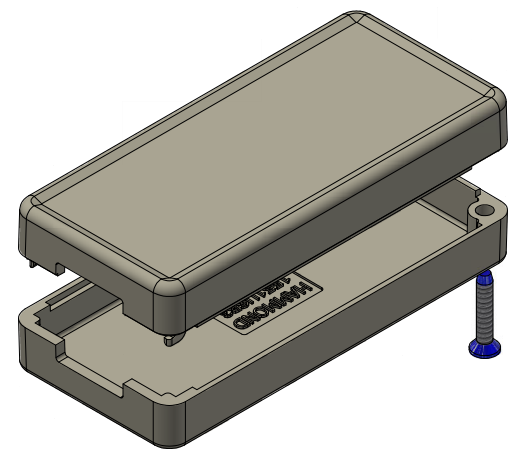
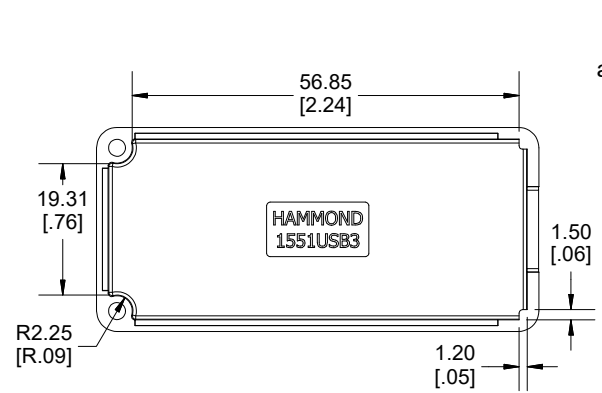
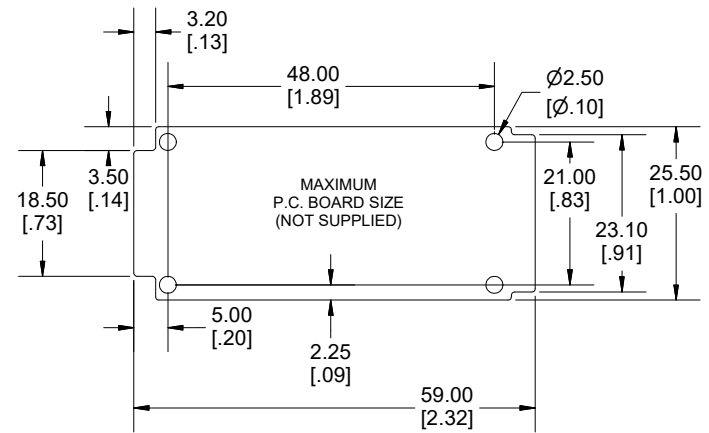


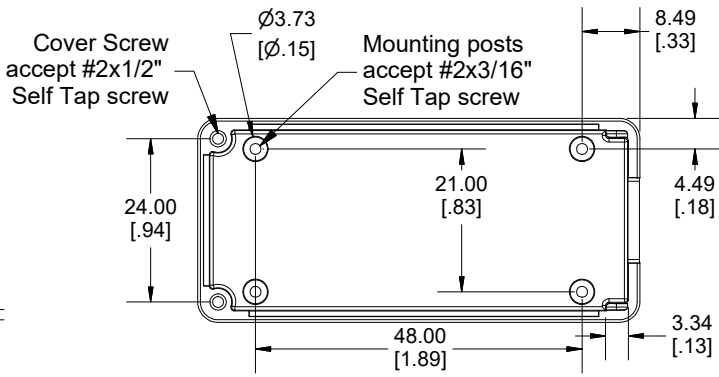
**SECTION A-A
END VIEW**



**SECTION B-B
SIDE VIEW**



INSIDE BOTTOM VIEW



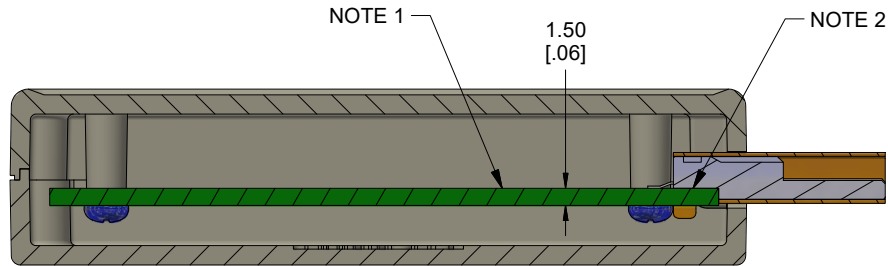
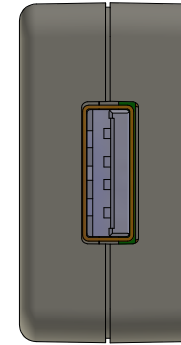
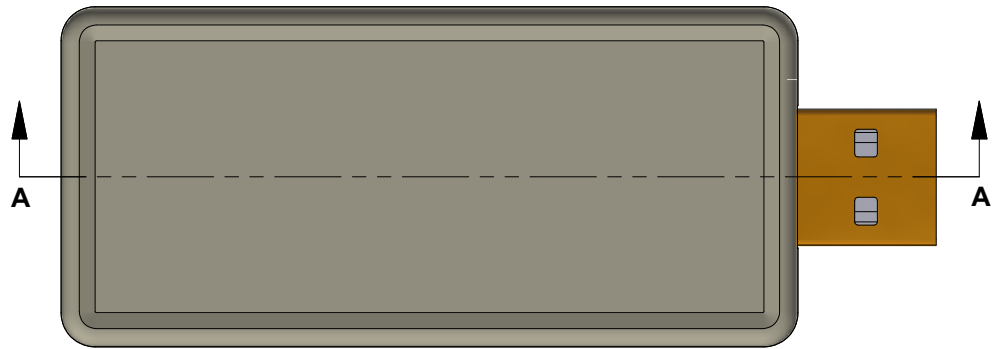
INSIDE TOP VIEW

Dimensions:
mm
[inches]

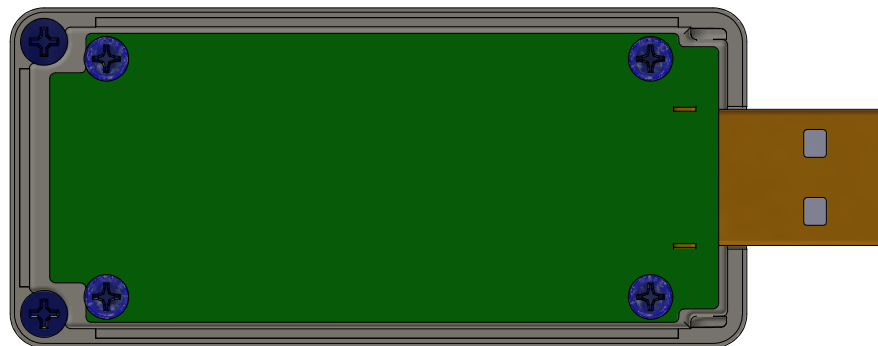
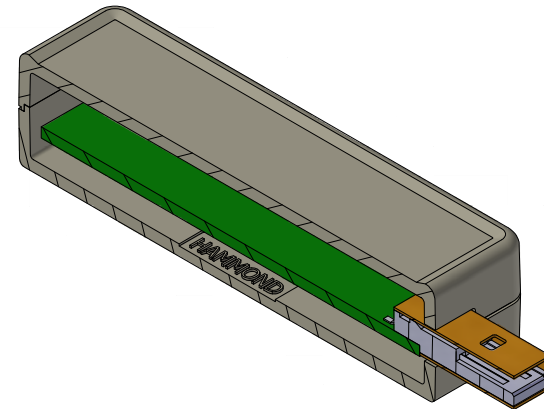
Enclosures can be Factory Modified (Milling, Drilling, Printing etc.)
Contact Factory (modshop@hammfg.com) for quotes
Solid models of this enclosure available in .stp or .x_t
(Part number and text placement/orientation on our products are subject to change,
we do not recommend using them as a locating reference for modification purposes)


NOTE	
Purchased assembly includes box, lid, 2 cover screws.	
Enclosure molded from general purpose ABS Plastic.	
Other materials / colours available consult factory.	
Recommended Torque : (35-43) Ozf.in / (25-30) cN.m	
PART NUMBERS	
1551USB3 Enclosure	
Black Enclosure - Ral 9011 - UL94 - HB	1551USB3BK
Gray Enclosure - RAL 7035 - UL94 - HB	1551USB3GY
Translucent Clear - UL94 - HB	1551USB3CLR
Translucent Smoke - UL94 - HB	1551USB3TSK
Translucent Red - UL94 - HB	1551USB3TRD
ACCESSORIES	
P.C. Board Plastite Self Tapping Screw [#2 x 3/16" self-tapping (4.8mm)]	1553WTS100 (Pkg 100)
Plated Cover Screws #2 X 1/2" Self-tapping	1551USB50 (Pkg 50)
Black Cover Screws #2 X 1/2" Self-tapping	1551USB50BK (Pkg 50)

HAMMOND
1551USB3
www.hammondmfg.com



SECTION A-A



#	NOTE
1	RECOMMENDED PCB THICKNESS, BUT CAN BE THICKER.
2	USB CONNECTOR MUST BE ATTACHED TO FACE OF PCB IN ORIENTATION SHOWN. THIS WAY, VARYING PCB THICKNESS WILL NOT SHIFT THE CONNECTOR WITHIN THE USB OPENING.
DWN	 HAMMOND MANUFACTURING CO. LTD. 485 Conestogo Road Waterloo, Ontario, N2L 4C9, Canada
DATE	
CHK	
MAT'L	
SHEET	
 1551USB3 (With USB Connector)	



THIS DRAWING IS PROPRIETARY INFORMATION OF HAMMOND MFG. CO. LTD. NOT TO BE USED WITHOUT EXPRESSED WRITTEN PERMISSION OF HAMMOND MFG. CO. LTD.