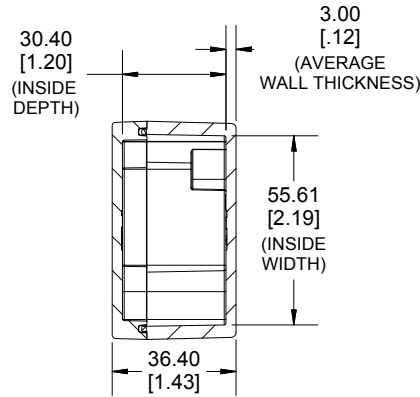
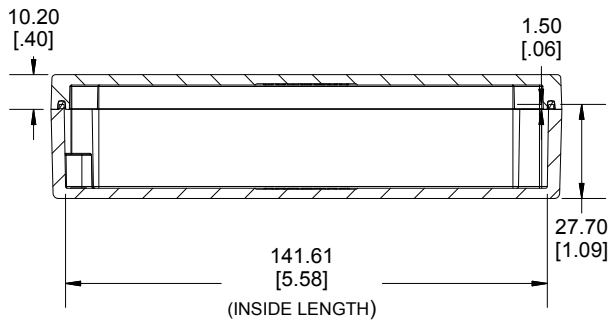


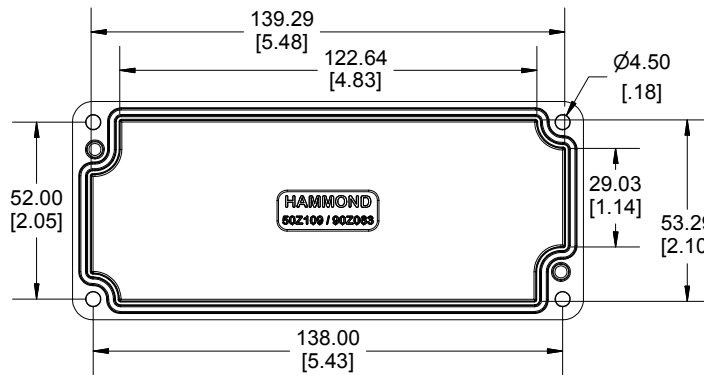
TOP VIEW



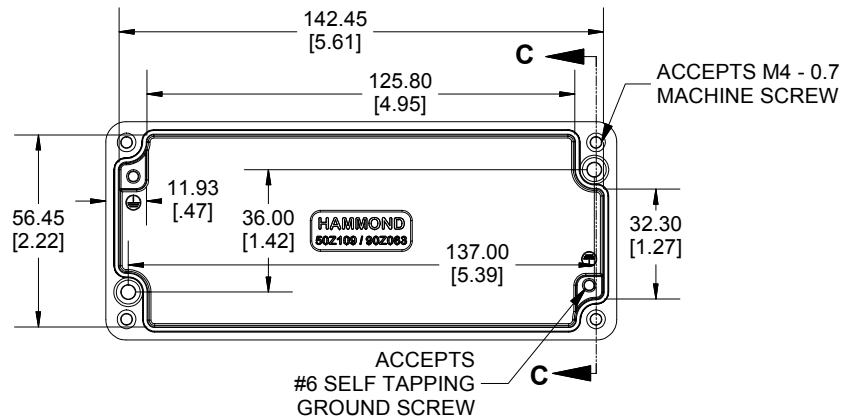
**SECTION A-A
END VIEW**



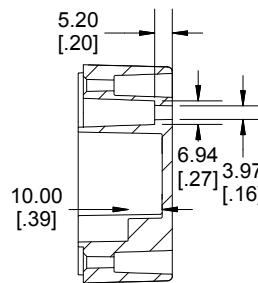
**SECTION B-B
SIDE VIEW**



INSIDE LID



INSIDE BOX



**SECTION C-C
MOUNTING HOLE**



Enclosures can be Factory Modified (Milling, Drilling, Printing etc.)
 Contact Factory mjm@hammondmfg.com for quotes
 Solid models of this enclosure available in STEP or IGES.
 (Part number and text placement/orientation on our products are subject to change,
 we do not recommend using them as a locating reference for modification purposes)

NOTE	
Purchased assembly includes box, lid, silicone gasket, and 4 cover screws. Box and lid are made from Diecast Aluminum Alloy.	
Screws should not be torqued past 5-7.5 lbf.in (50 -75 cN.m)	
PART NUMBERS	
1550Z109 Enclosure	
Basic Enclosure	1550Z109
Black Enclosure	1550Z109BK
ACCESSORIES	
Pre-Formed Silicone Gasket (2 Pack)	1550Z109GASKET
Stainless Steel Cover screws (50 Pack) [M4 - 0.7 x 20mm]	SC1550Z103-50
Ground Hardware (50 Pack) [Copper #6-32X5/16 Self-Tapping / #6 Bronze lock Washer]	SCG060-50

Dimensions:
mm
[inches]

**HAMMOND
MANUFACTURING**

1550Z109

www.hammondmfg.com