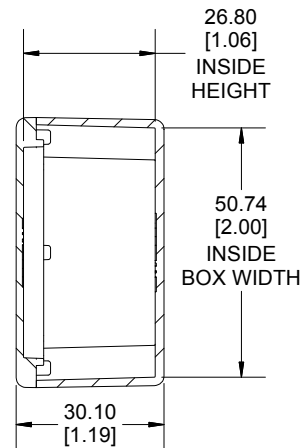
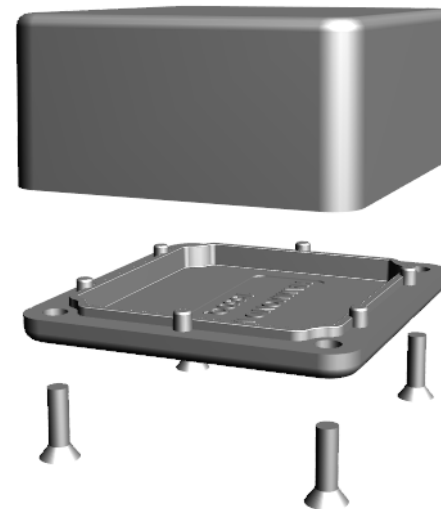


TOP VIEW



**SECTION A-A
END VIEW**

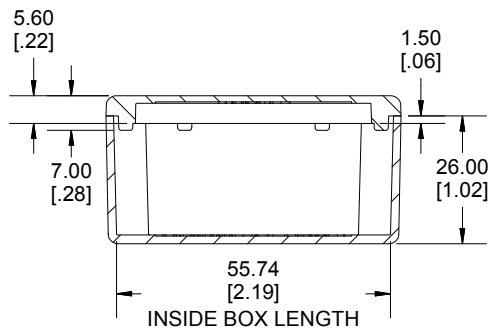


Enclosures can be Factory Modified (Milling, Drilling, Printing etc.)
 Contact Factory mjm@hammondmfg.com for quotes
 Solid models of this enclosure available in STEP or IGES.

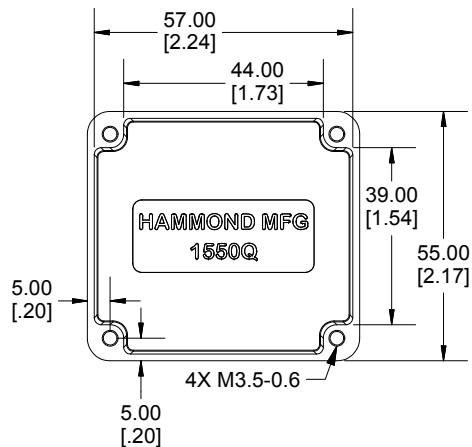
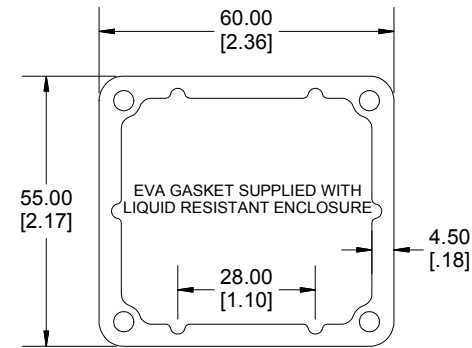
NOTE	
Purchased assembly includes box, lid and 4 cover screws.	
Box and lid are made from Diecast Aluminum Alloy.	
EVA Gasket supplied with liquid resistant enclosure.	

PART NUMBERS	
1550Q Enclosure	
Natural Finish Enclosure	1550Q
Black Textured Enclosure	1550QBK
1550Q Liquid Resistant Enclosure (EVA Gasket)	
Natural Finish Enclosure	1550WQ
Black Textured Enclosure	1550WQBK

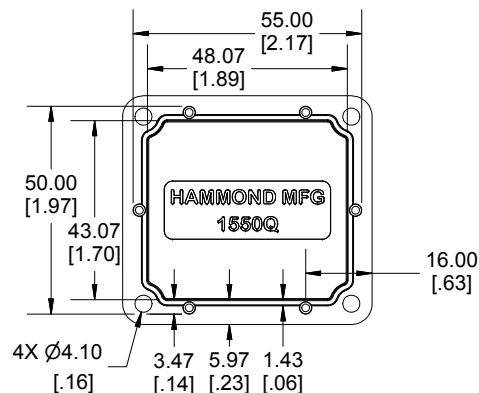
ACCESSORIES	
Recommended Torque: 75 ozf.in / 55 cN.m	
Standard Cover Screws	
Plated Cover Screws (Pkg 100) [M3.5-0.6 x 12mm]	1550MS100
Black Cover Screws (Pkg 100) [M3.5-0.6 x 12mm]	1550MS100BK
EVA Pre-formed Gasket Black	1550QEGASKET
Silicone Pre-formed Gasket Black	1550QSGASKET



**SECTION B-B
SIDE VIEW**



INSIDE BOX



INSIDE LID

Dimensions:
 mm
 [inches]

**HAMMOND
MANUFACTURING®**
1550Q
www.hammondmfg.com