
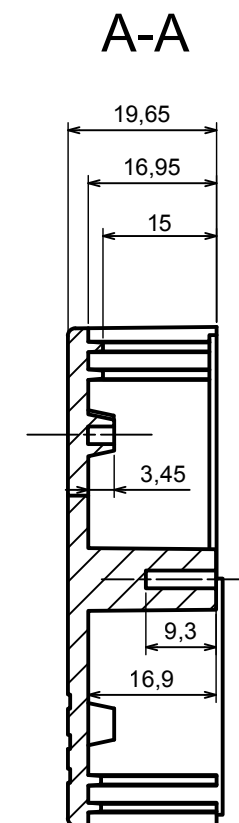
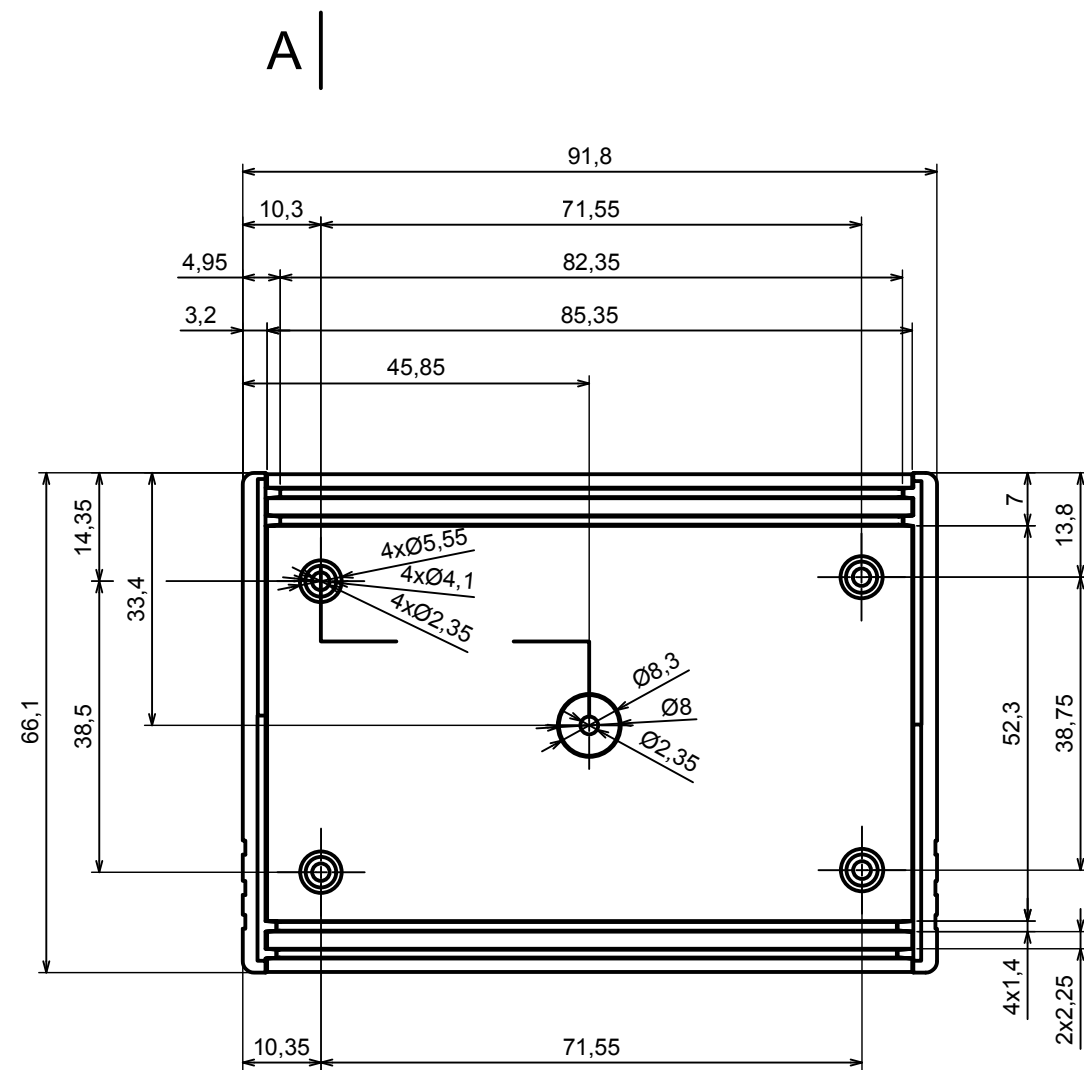


A |

All rights reserved, Copyright Kradox 2017		
Product model	Enclosure Z6 - Assembly	
Format: A3	Material: PS, ABS	
Scale 1:1	Tolerance: +/- 0.7	



A |

All rights reserved, Copyright Kradox 2017

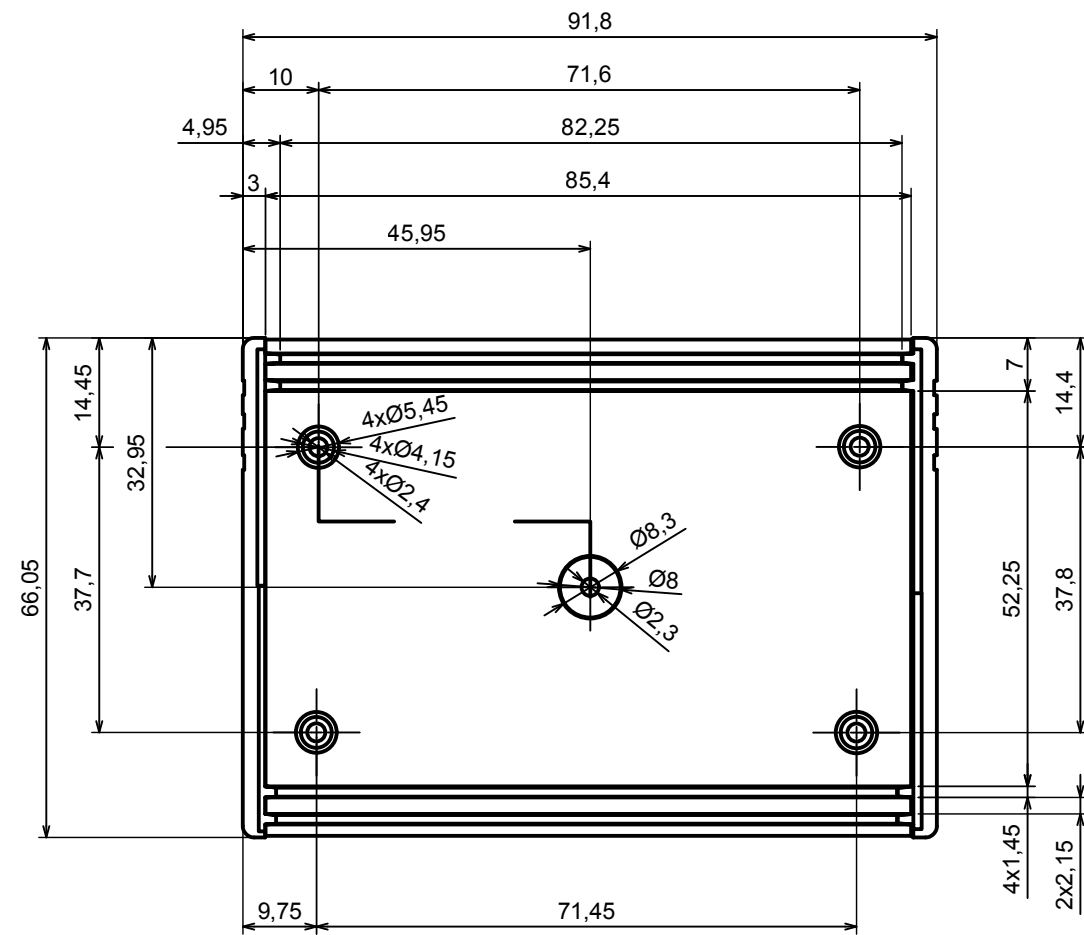
Product model Enclosure Z6 - Base

Format: A3 Material: PS, ABS

Scale 1:1 Tolerance: +/- 0.7

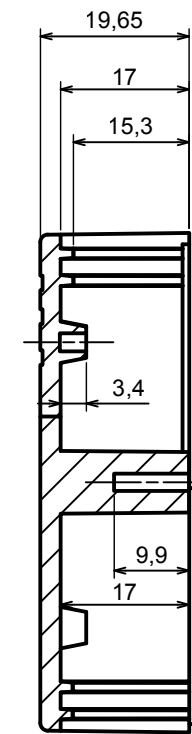


A |



A |

A-A



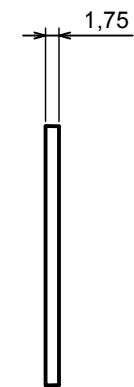
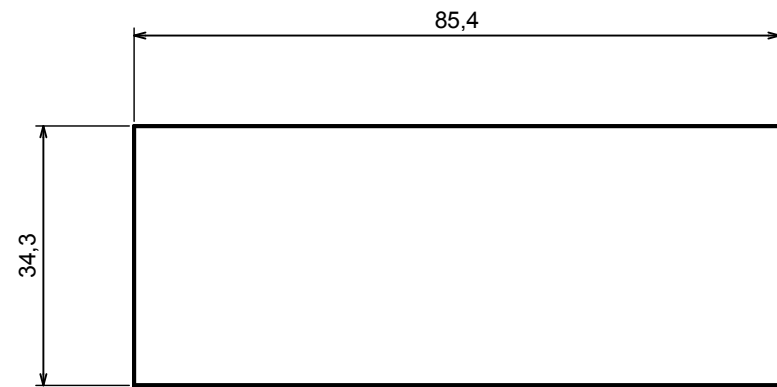
All rights reserved, Copyright Kradox 2017


Product model Enclosure Z6 - Cover

Format: A3 Material: PS, ABS

Scale 1:1 Tolerance: +/- 0.7





All rights reserved, Copyright Kradox 2017		
Product model	Enclosure Z6 - Board	
Format: A3	Material: PS, ABS	
Scale 1:1	Tolerance: +/- 0.7	