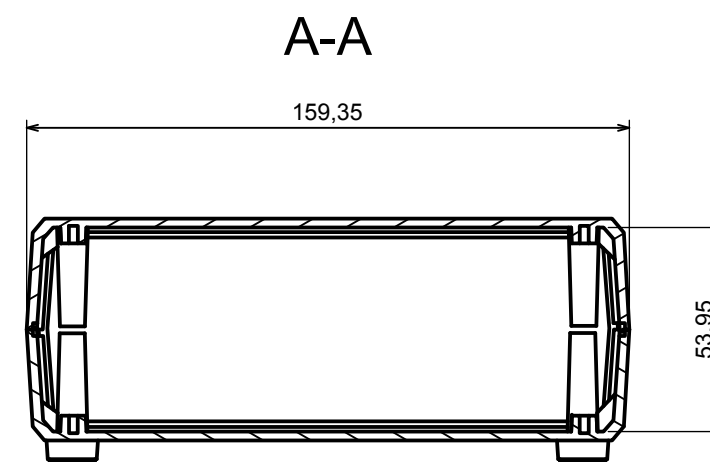


A |



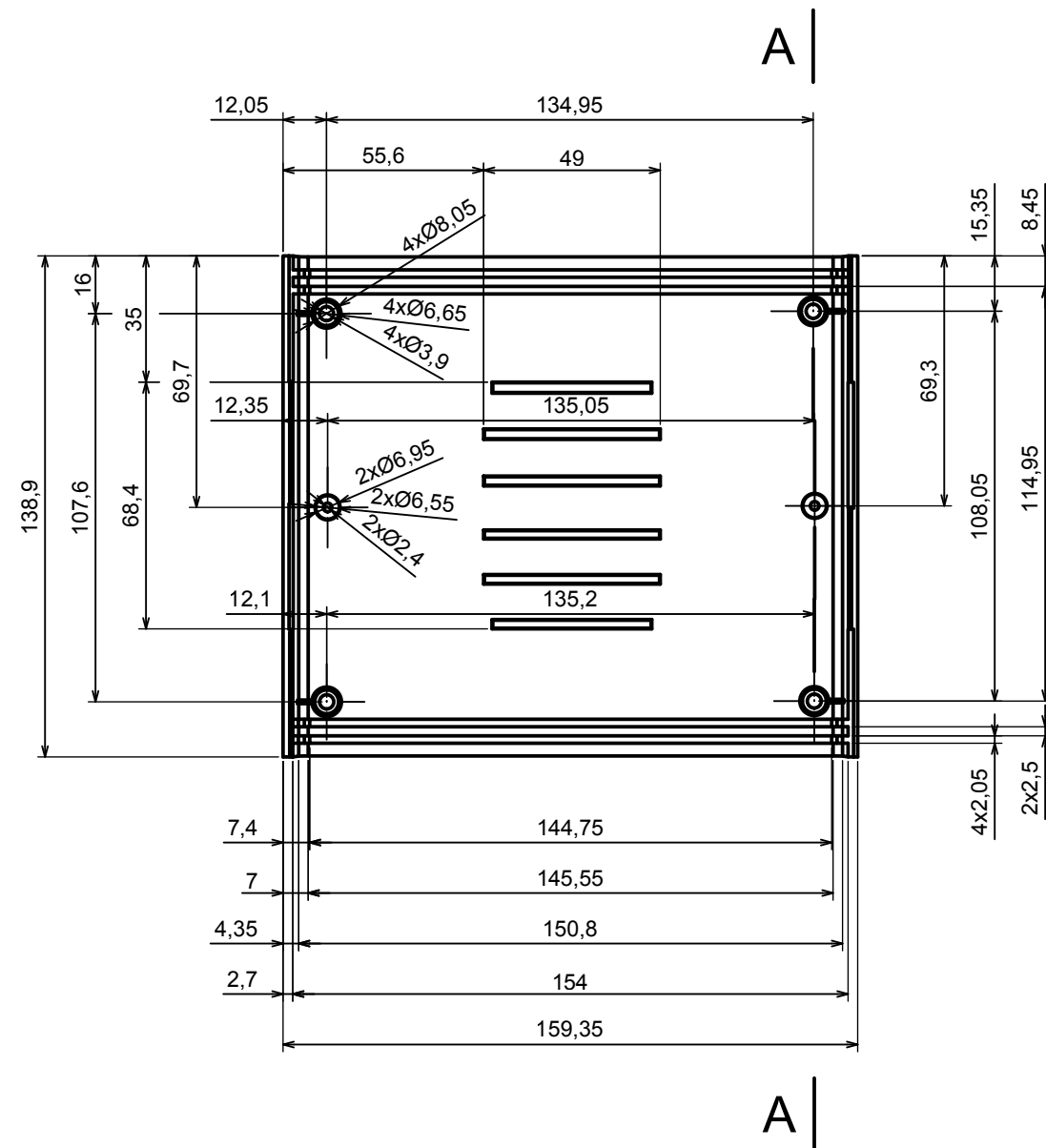
All rights reserved, Copyright Kradex 2017

Product model	Enclosure Z4AW - Assembly
---------------	---------------------------

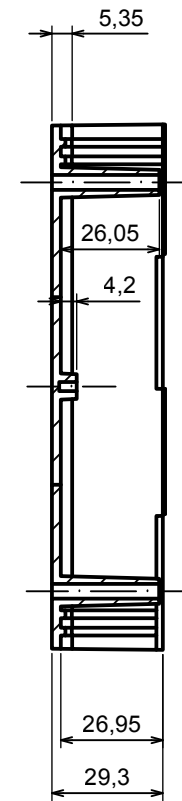
Format: A3	Material: PS, ABS
------------	-------------------

Scale 1:2	Tolerance: +/- 0.8
-----------	--------------------





A-A



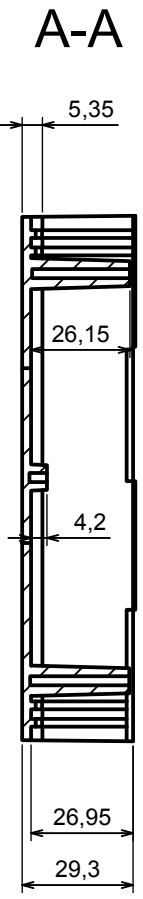
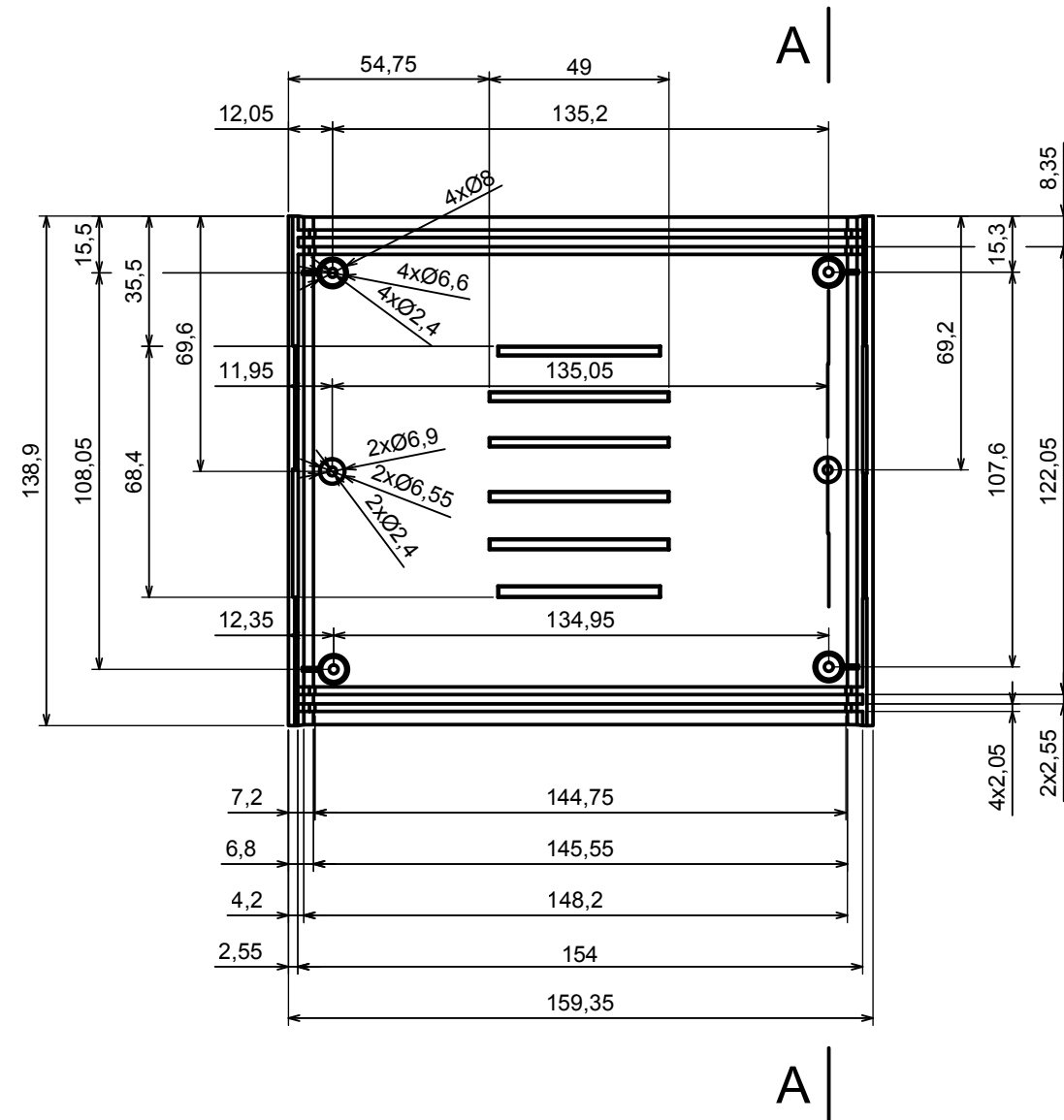
All rights reserved, Copyright Kradex 2017


Product model: Enclosure Z4AW - Base

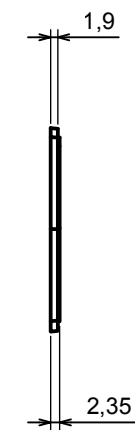
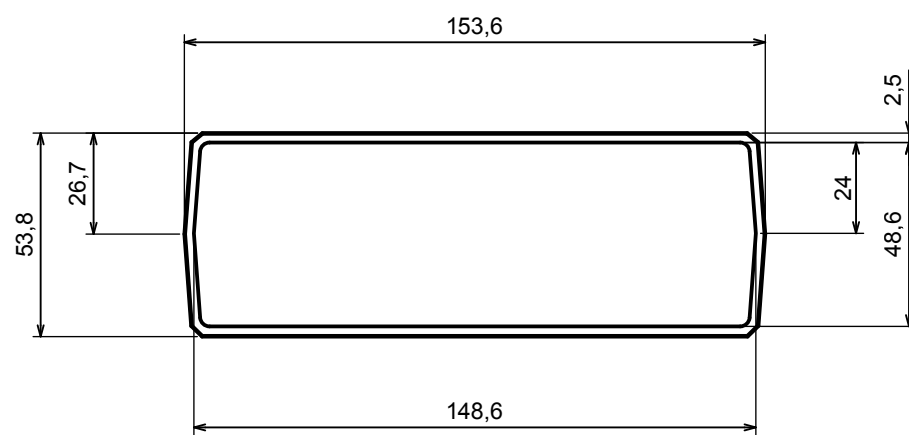
Format: A3 Material: PS, ABS

Scale 1:1 Tolerance: +/- 0.8





All rights reserved, Copyright Kradex 2017		
Product model	Enclosure Z4AW - Cover	
Format: A3	Material: PS, ABS	
Scale 1:2	Tolerance: +/- 0.8	



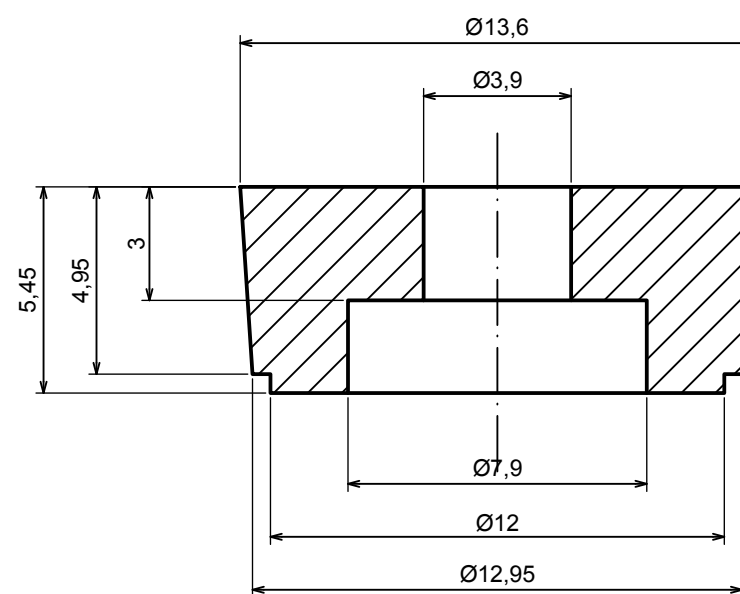
All rights reserved, Copyright Kradex 2017

Product model Enclosure Z4AW - Board

Format: A3 Material: PS, ABS

Scale 1:1 Tolerance: +/- 0.8





All rights reserved, Copyright Kradex 2017

Product model: Enclosure Z4AW - Foot

Format: A3      Material: PS, ABS

Scale 5:1      Tolerance: +/- 0.8

